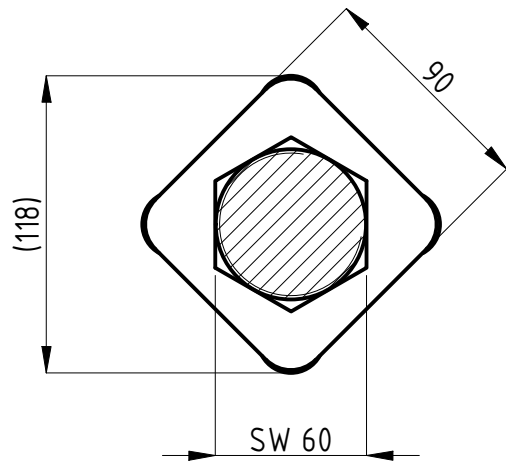
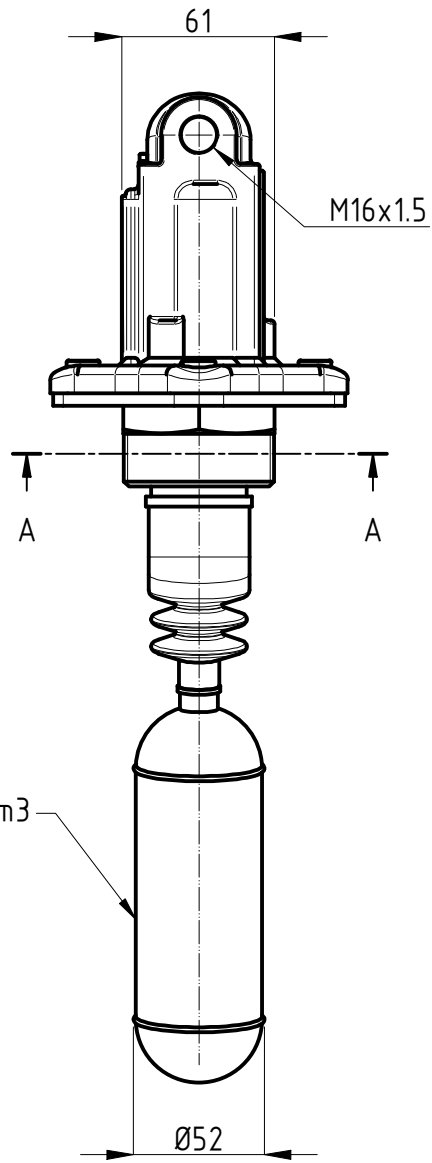


A-A (1:3)

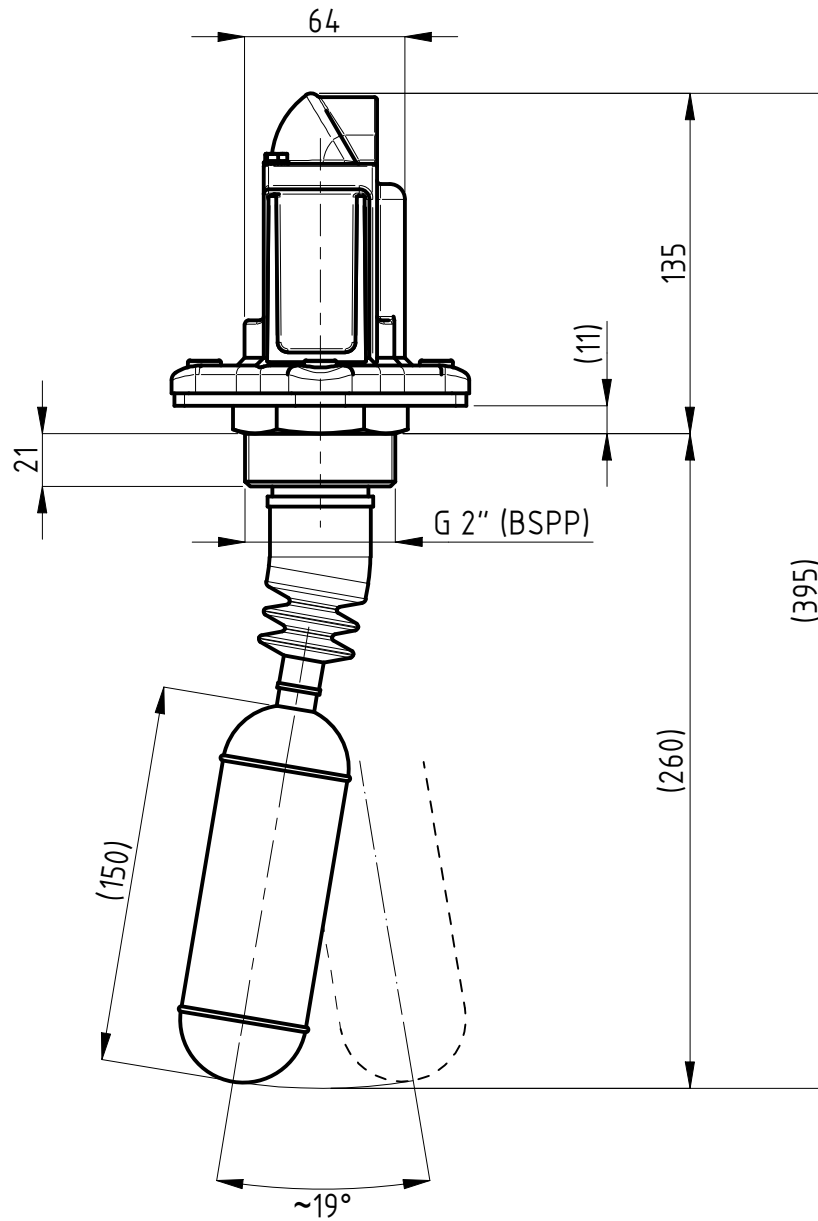


PE	NO	COM	NC
	1	2	3
MAX. 10A / 250V			

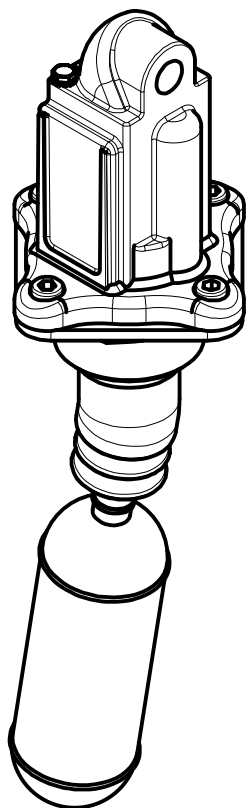
Terminals : male FASTON (.250 series / 6,3x0,8 mm)



density > 0,70 kg/dm3

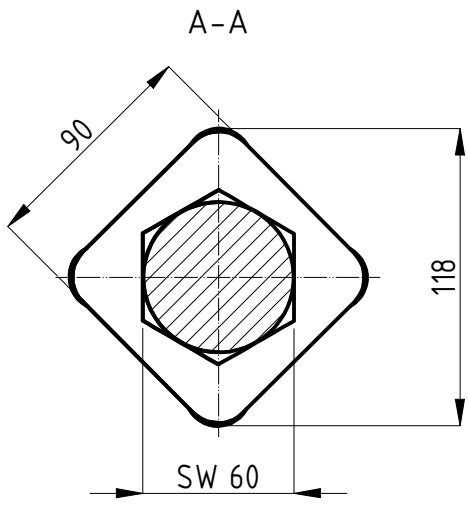


PFGLP22



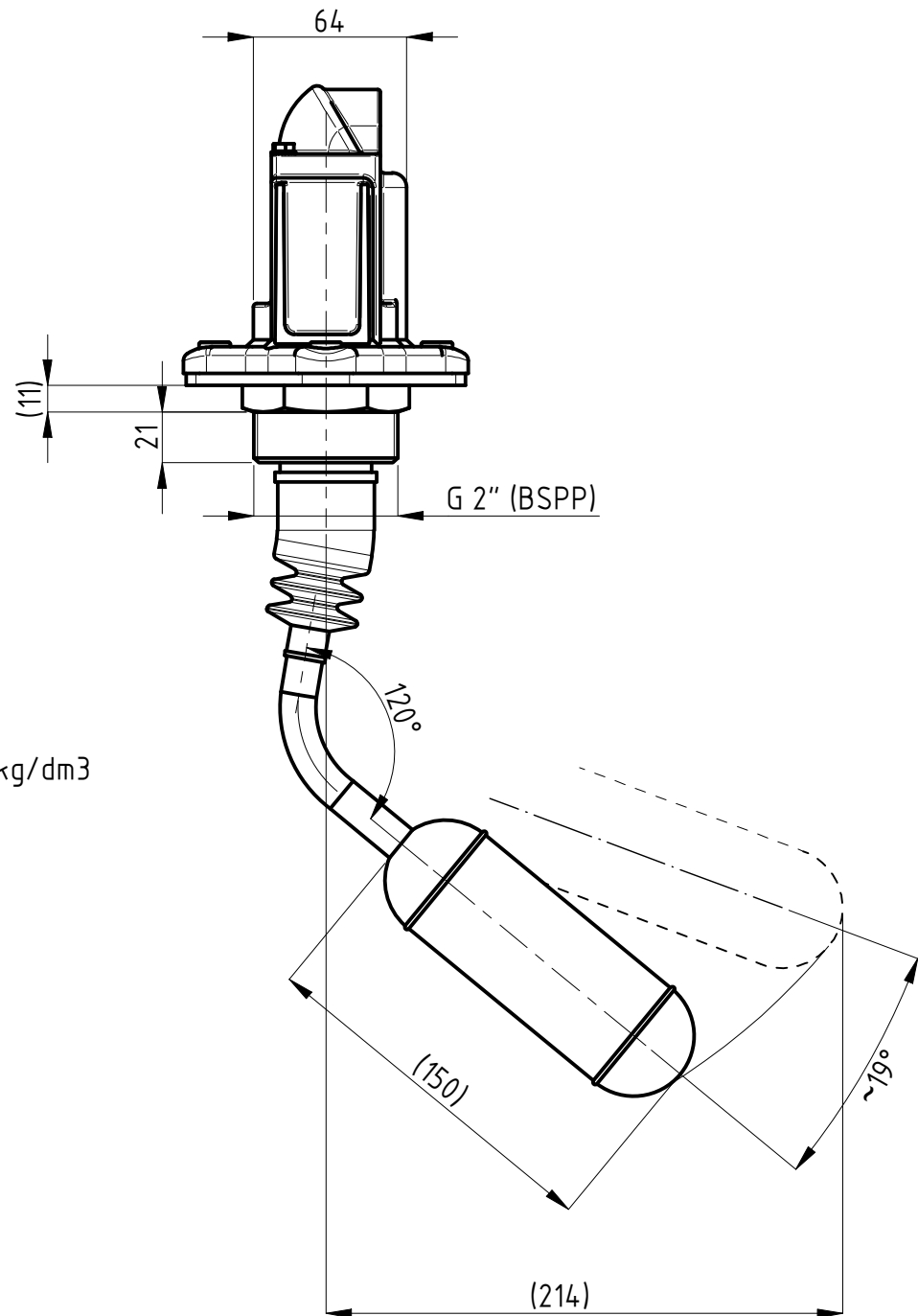
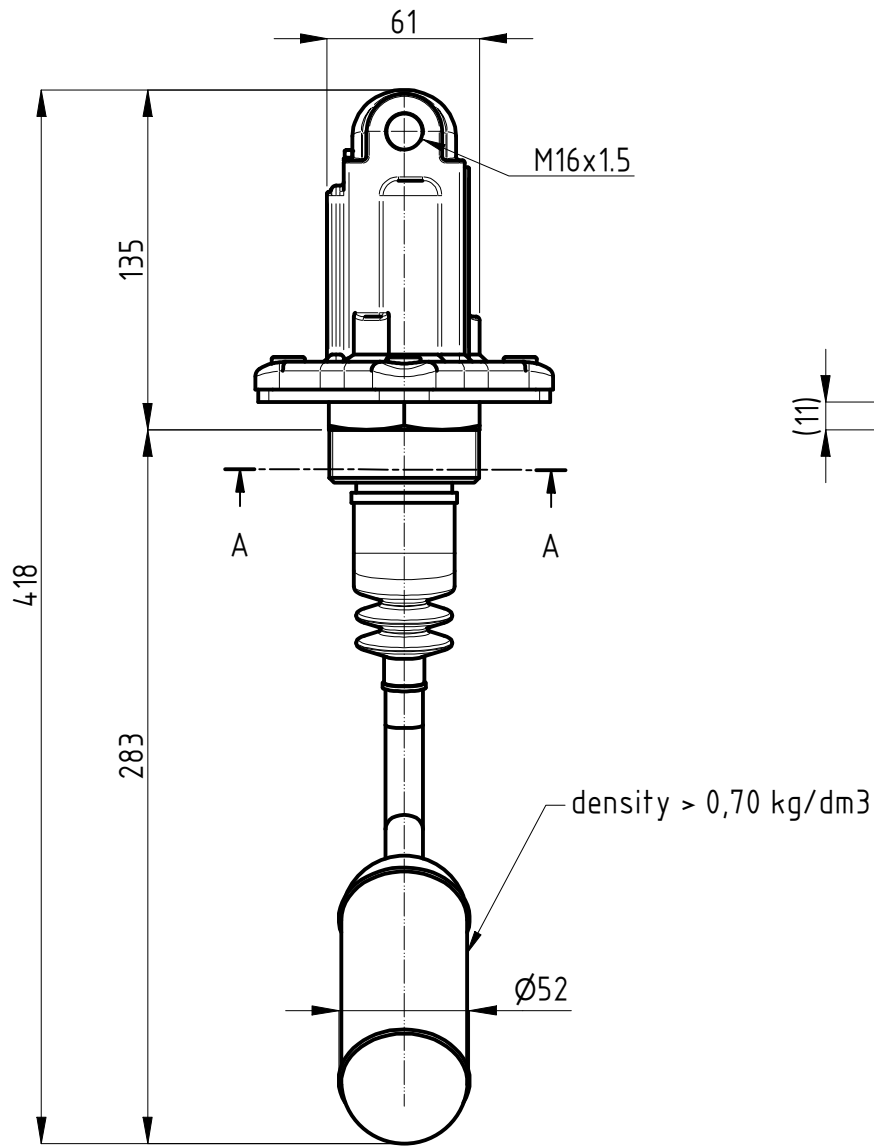
Model	PFGLP22
Weight	1,7 [kg]
Power supply	not powered
Signal	SPDT / max. 10[A]-250VAC
IP grade	IP65
Housing	Aluminium (powder coated)
Connection and floating	G 2'' (BSPP) - AISI 316
Ambient temperature	-10 < Ta < +100 [°C]
Process temperature	-10 < Tp < +100 [°C]
MAX pressure	+25 bar [abs]
Directives	2011/65/EU (RoHS) 2014/34/EU (ATEX) 2014/35/EU (LVD) 1935/2004/EU (Food compliance)
Ex Marking	Ex II 3D Ex tc IIIB T135°C Dc
® CAMLogic Via dell'Industria 12 42025 Cavriago (RE) - ITALY www.camlogic.it	CAMLOGIC ® DRAWING N. 0602_014_0
GENERAL TOL.: ISO 2768-mH	UNLESS OTHERWISE SPECIFIED DIMENSION ARE IN [mm]
	DRAWING FROM CAD SYSTEM - REFER TO 3D MODEL FOR MISSING DIMENSION - NO MANUAL MODIFICATION ALLOWED
	SCALE: 1:3
	SHEET: 1 OF 5 REV: 0 DRAWN NR DATE 28.10.2021

SIZE UNI A3

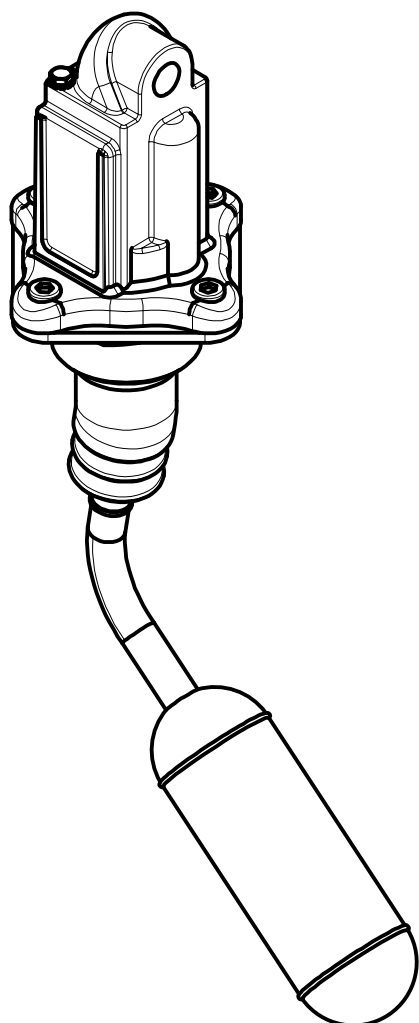


PE	NO	COM	NC
	1	2	3
MAX. 10A / 250V			

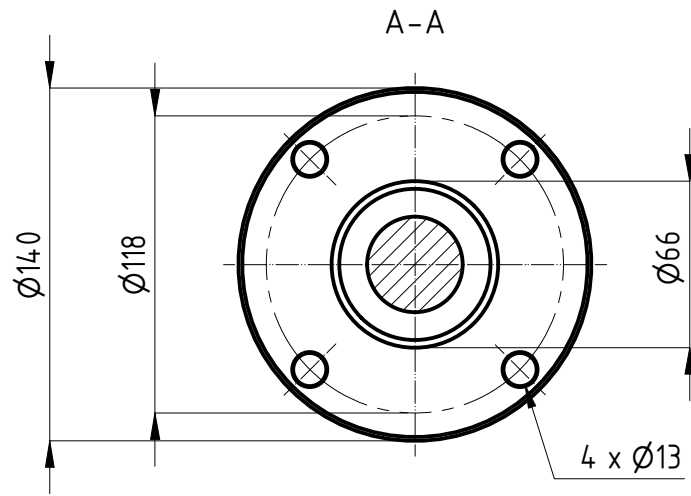
Terminals : male FASTON (.250 series / 6,3x0,8 mm)



PFGLP22/C

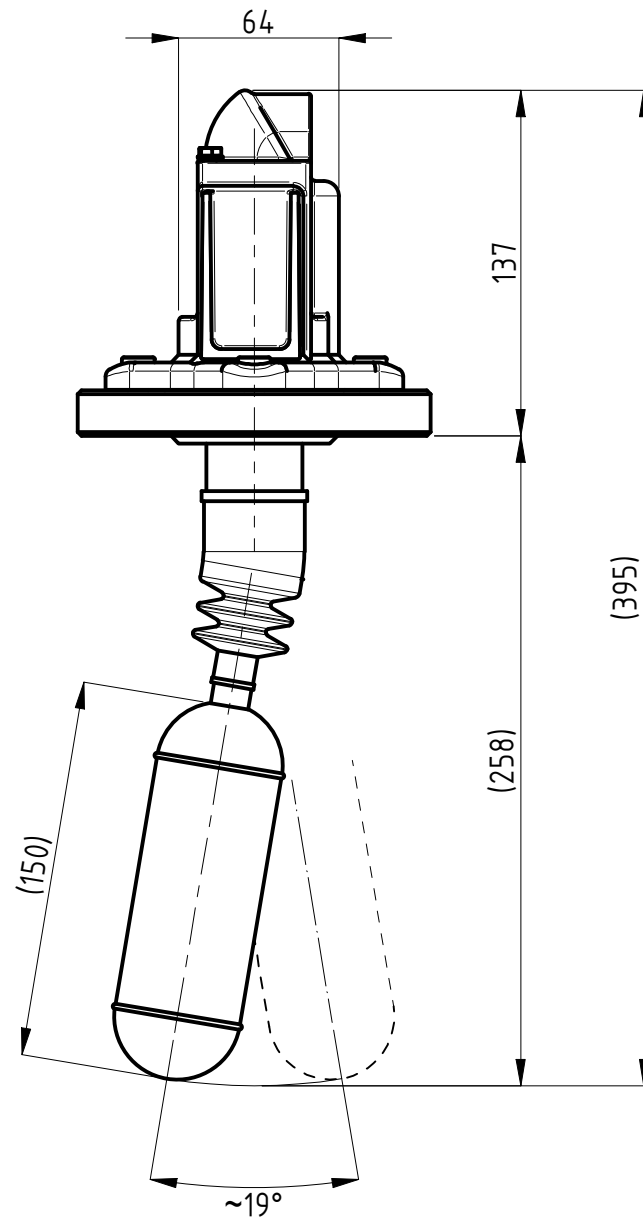
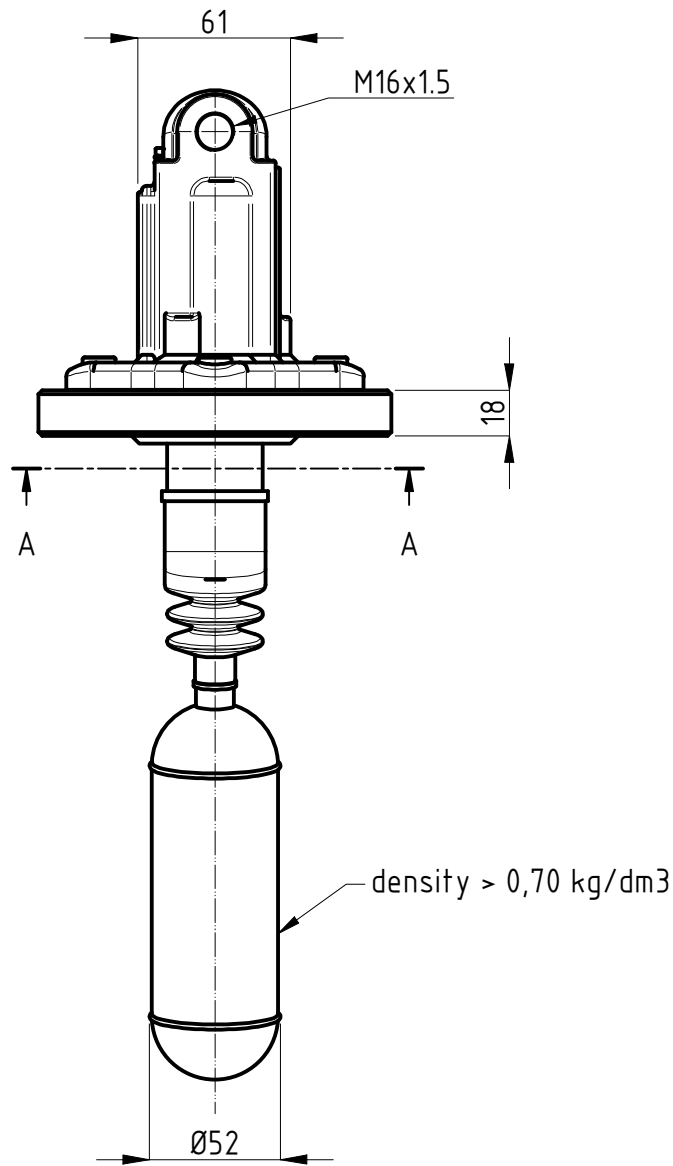


Model	PFGLP22/C		
Weight	1,8 [kg]		
Power supply	not powered		
Signal	SPDT / max. 10[A]-250VAC		
IP grade	IP65		
Housing	Aluminium (powder coated)		
Connection and floating	G 2" (BSPP) - AISI 316		
Ambient temperature	-10 < Ta < +100 [°C]		
Process temperature	-10 < Tp < +100 [°C]		
MAX pressure	+25 bar [abs]		
Directives	2011/65/EU (RoHS) 2014/34/EU (ATEX) 2014/35/EU (LVD) 1935/2004/EU (Food compliance)		
Ex Marking	Ex II 3D Ex tc IIIB T135°C Dc		
© CAMLogic Via dell'Industria 12 42025 Cavriago (RE) - ITALY www.camlogic.it		DRAWING N.	SHEET:
		0602_014_0	2 OF 5
GENERAL TOL.: ISO 2768-mH	UNLESS OTHERWISE SPECIFIED DIMENSION ARE IN [mm]	DRAWING FROM CAD SYSTEM - REFER TO 3D MODEL FOR MISSING DIMENSION - NO MANUAL MODIFICATION ALLOWED	SCALE: 1:3
			DRAWN NR DATE 28.10.2021

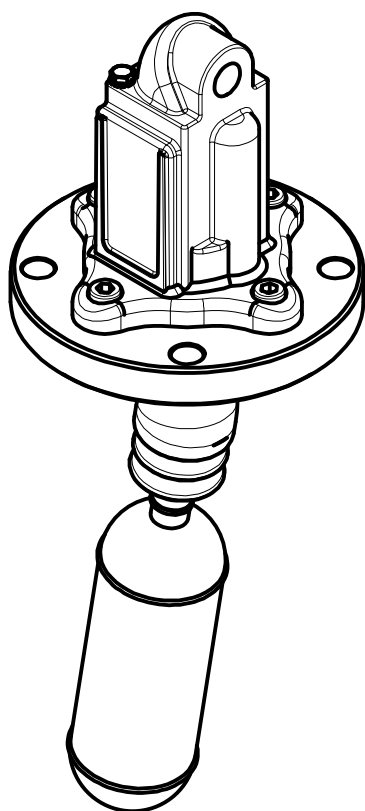


PE	NO	COM	NC
	1	2	3
MAX. 10A / 250V			

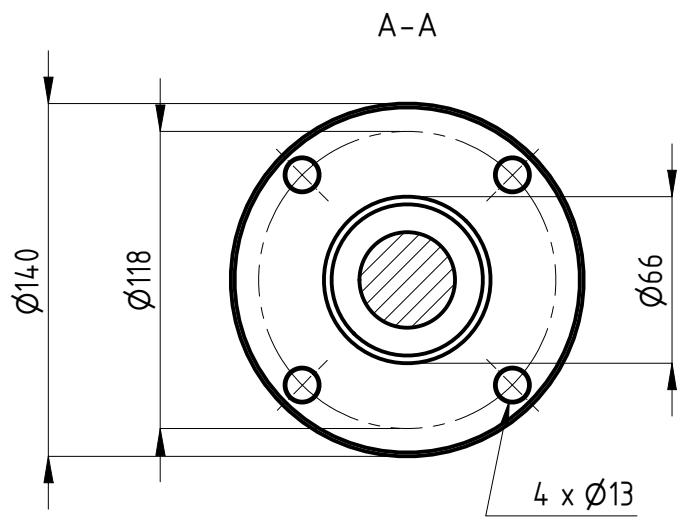
Terminals : male FASTON (.250 series / 6,3x0,8 mm)



PFGLP22/F

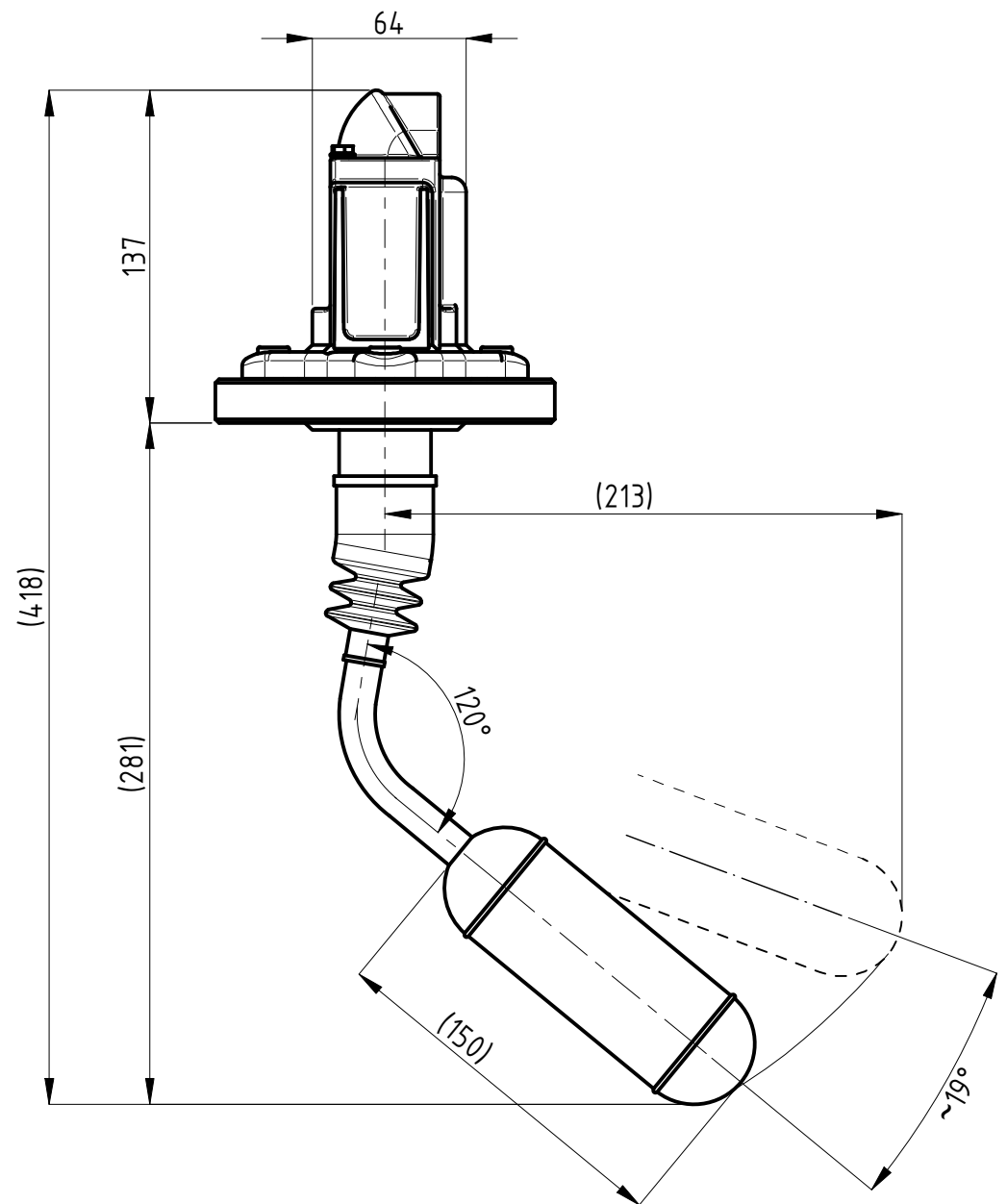
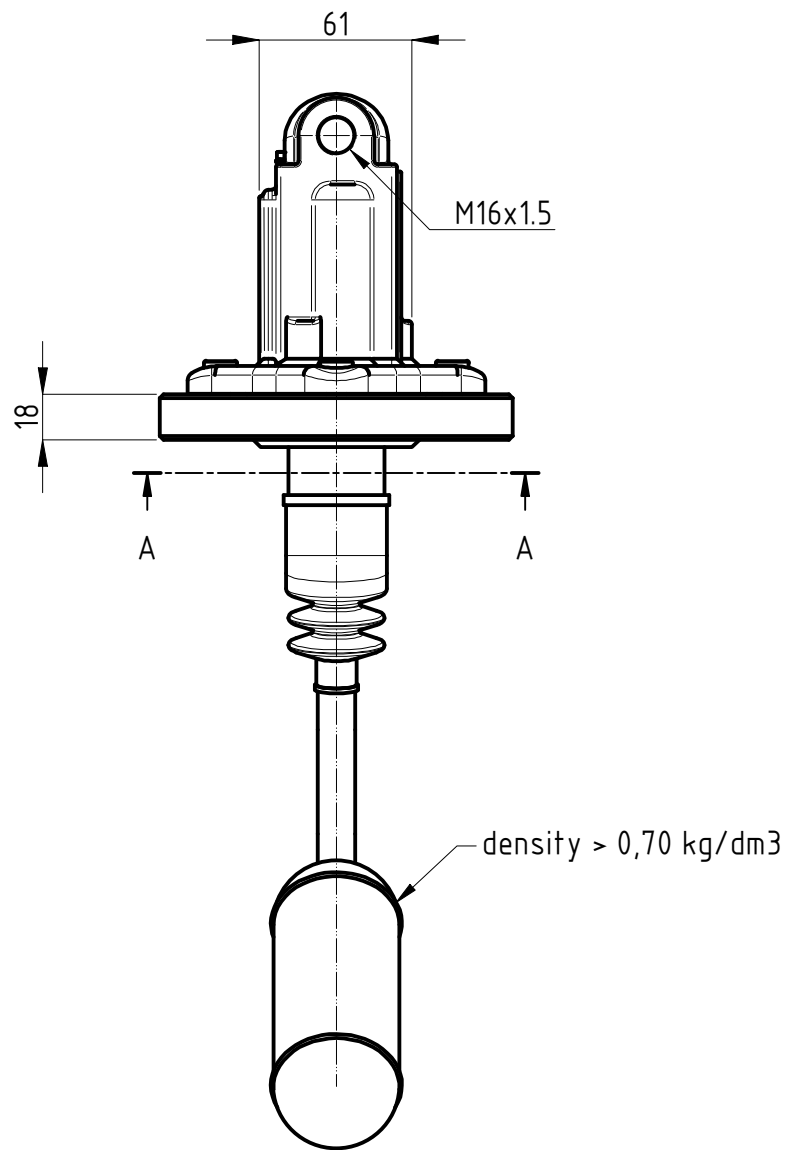


Model	PFGLP22/F		
Weight	2,9 [kg]		
Power supply	not powered		
Signal	SPDT / max. 10[A]-250VAC		
IP grade	IP65		
Housing	Aluminium (powder coated)		
Connection and floating	Flange - AISI 316		
Ambient temperature	-10 < Ta < +100 [°C]		
Process temperature	-10 < Tp < +100 [°C]		
MAX pressure	+25 bar [abs]		
Directives	2011/65/EU (RoHS) 2014/34/EU (ATEX) 2014/35/EU (LVD) 1935/2004/EU (Food compliance)		
Ex Marking	Ex II 3D Ex tc IIIB T135°C Dc		
® CAMLogic Via dell'Industria 12 42025 Cavriago (RE) - ITALY www.camlogic.it		DRAWING N.	SHEET:
		0602_014_0	3 OF 5
GENERAL TOL.: ISO 2768-mH	UNLESS OTHERWISE SPECIFIED DIMENSION ARE IN [mm]	DRAWING FROM CAD SYSTEM - REFER TO 3D MODEL FOR MISSING DIMENSION - NO MANUAL MODIFICATION ALLOWED	REV: 0
		SCALE: 1:3	DRAWN NR DATE 28.10.2021

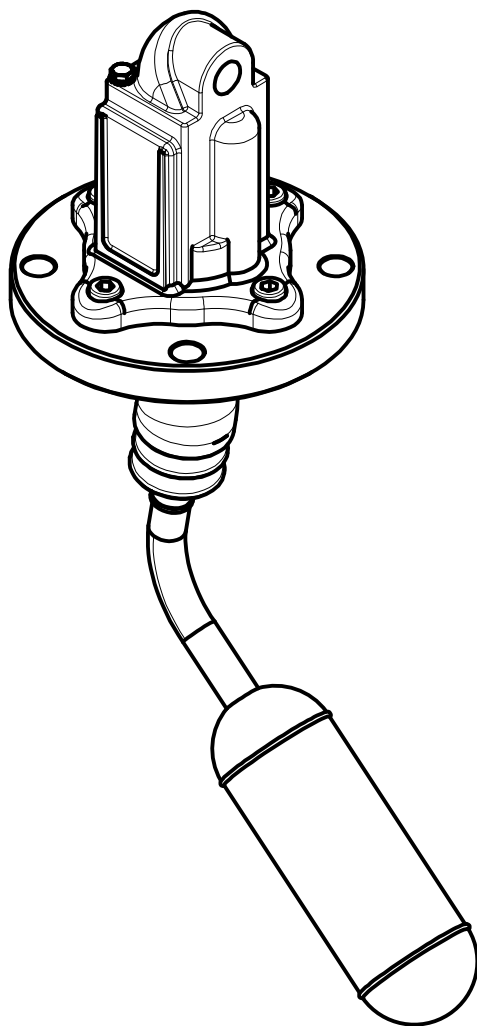


PE	NO	COM	NC
	1	2	3
MAX. 10A / 250V			

Terminals : male FASTON (.250 series / 6,3x0,8 mm)

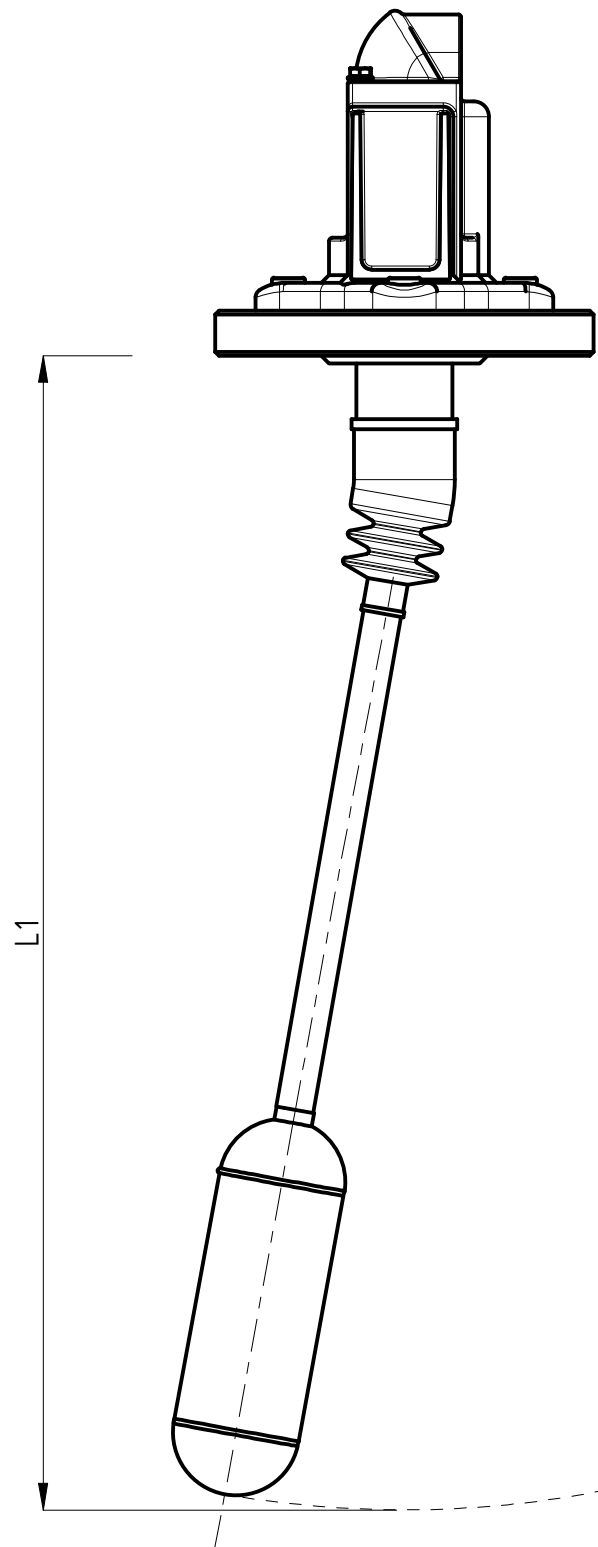


PFGLP22/F/C



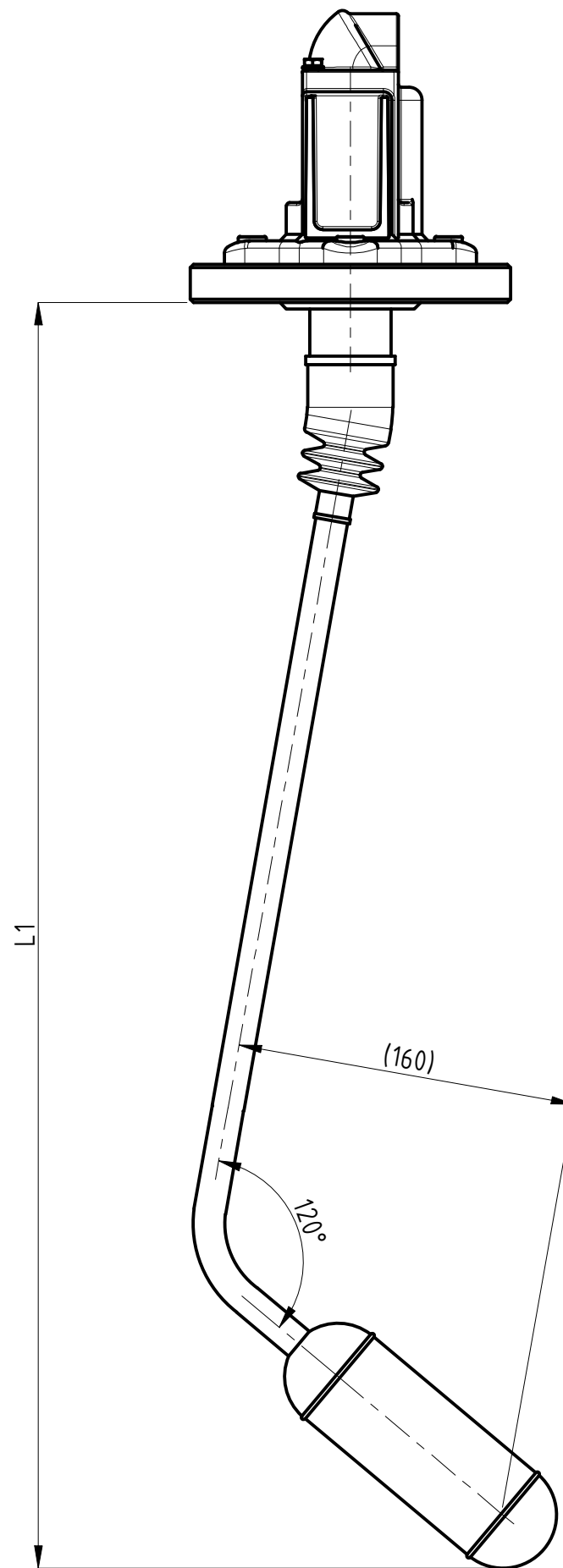
Model	PFGLP22/F/C		
Weight	3,0 [kg]		
Power supply	not powered		
Signal	SPDT / max. 10[A]-250VAC		
IP grade	IP65		
Housing	Aluminium (powder coated)		
Connection and floating	Flange - AISI 316		
Ambient temperature	-10 < Ta < +100 [°C]		
Process temperature	-10 < Tp < +100 [°C]		
MAX pressure	+25 bar [abs]		
Directives	2011/65/EU (RoHS) 2014/34/EU (ATEX) 2014/35/EU (LVD) 1935/2004/EU (Food compliance)		
Ex Marking	Ex II 3D Ex tc IIIB T135°C Dc		
® CAMLogic Via dell'Industria 12 42025 Cavriago (RE) - ITALY www.camlogic.it		DRAWING N.	SHEET:
		0602_014_0	4 OF 5
GENERAL TOL.: ISO 2768-mH	UNLESS OTHERWISE SPECIFIED DIMENSION ARE IN [mm]	DRAWING FROM CAD SYSTEM - REFER TO 3D MODEL FOR MISSING DIMENSION - NO MANUAL MODIFICATION ALLOWED	SCALE: 1:3
			REV: 0 DATE 28.10.2021

PFGLP22/F with extension



L1 [mm]
300
350
400
450
500
other lengths available on request, up to 500 mm

PFGLP22/F/C with extension



L1 [mm]
300
350
400
450
500
other lengths available on request, up to 500 mm

NOTE : lengths may slightly differ from the tables (+/- 5 [mm])