

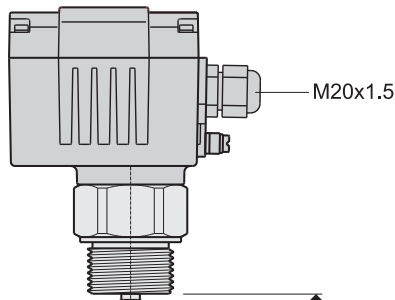
### Full, empty and demand indicator for simple applications

<b>Materials</b>	<b>Housing</b>	Aluminium pressure casting, RAL 7001 coated
	<b>Process connection</b>	Aluminium
	<b>Shafts, rope</b>	Stainless steel 1.4301 / 304
	<b>Tensioning weight</b>	Atainless steel 1.4301 / 304
	<b>Blade TK</b>	Plastic PP
	<b>Blade TD</b>	Stainless steel 1.4301 / 304
<b>Signal contact</b>		2 A / 250V AC potential-free
<b>Type of protection</b>		IP66 in accordance with DIN EN 60529
<b>Ambient temperature</b>		T <sub>a</sub> -20 °C ... +70 °C
<b>Bulk goods temperature</b>		T(Process) -25 °C ... +80 °C
<b>Pressure range</b>		p(Process) -0.5 bar ... 1 bar
<b>Maintenance</b>		none

4

#### Compact aluminium housing

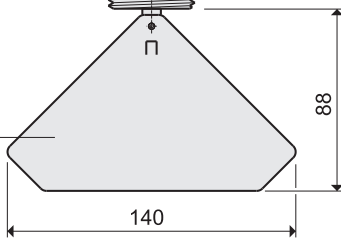
Order code  
**DF11A1CnG2ATD**



To be used with preference as full indicator!

Measuring blade TD

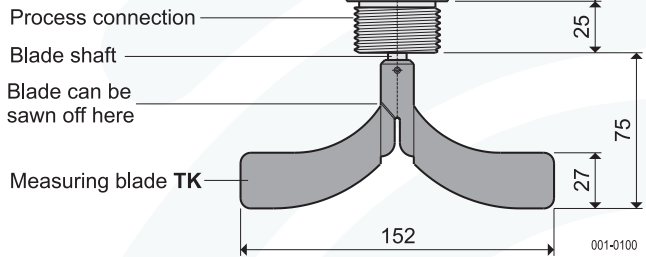
001-0101



Jib length > L < 13 mm longer by measuring blade TD

#### Compact aluminium housing

Order code  
**DF11A1CnG2ATK**

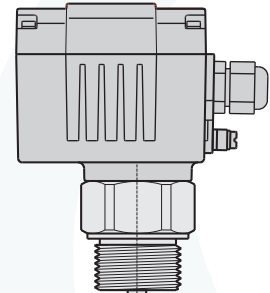


001-0100

We recommend sawing off the plastic blade on one side, when using as empty indicator.

#### Ex -Info

The measuring blade TK150 is not for use in containers being filled by a pneumatic conveyor.

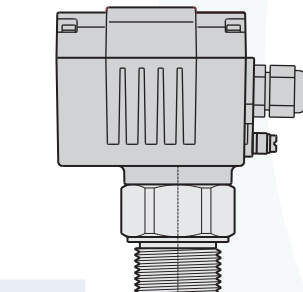


#### W6 Rope shaft

Jib extension > L < = 2000 mm  
The rope can be shortened depending on requirement.

Tensioning weight

You will find further technical details under appliance information **DF-GI-**



Buckling protector

#### W3 Pendulum shaft

Jib extension > L < = 500 mm with splint hole for > L < = 400 and > L < = 300 mm

#### W4 Pendulum shaft

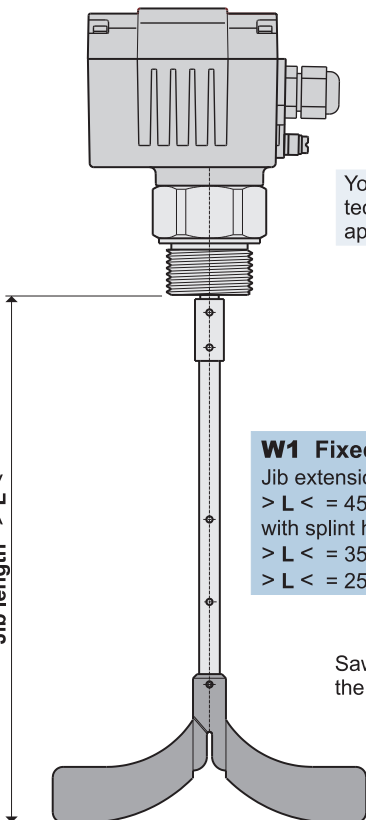
Jib extension > L < = 1000 mm with splint hole for > L < = 900, > L < = 800, > L < = 700 and > L < = 600 mm

#### W1 Fixed shaft

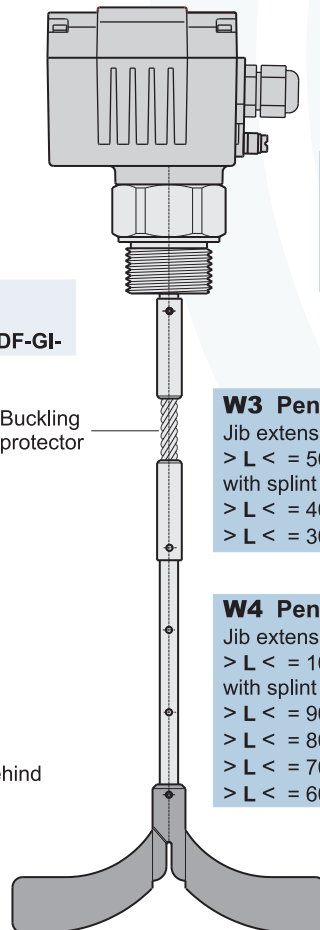
Jib extension > L < = 450 mm with splint hole for > L < = 350 and > L < = 250 mm

Saw off shaft 10 mm behind the used splint hole.

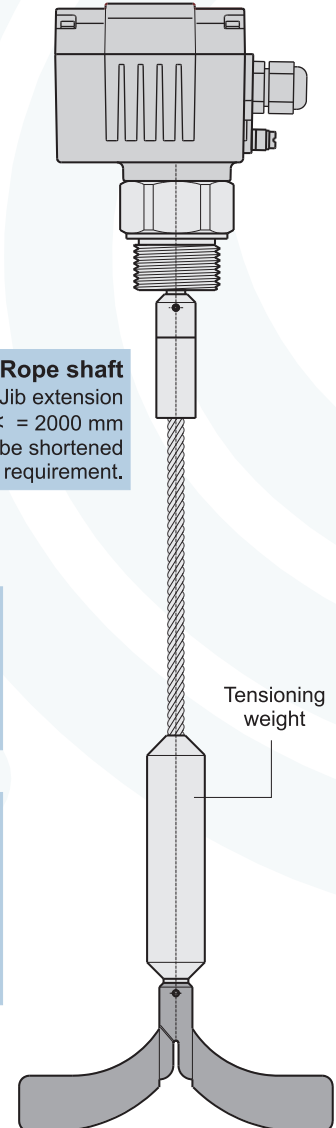
Jib length > L



001-0102





001-0103



001-0104

### Choice of options with

#### Certifications, certificates, approvals

- B0** **Standard** = CE conform and IP66 .....
- B1** ATEX  II 1/2D Ex ta/tb IIIC T80°C **Dust** .....
- B3** ATEX  II 1/3D Ex ta/tc IIIB T80°C **Dust** <sup>1)</sup> .....
- B9** Further approvals ..... on request

#### Supply voltage / Supply

- C1** 220...240V AC (50...60Hz) .....
- C2** 110...120V AC (50...60Hz) .....
- C3** 48V AC (50...60Hz) .....
- C4** 24V AC (50...60Hz) .....
- C5** 24V DC .....

#### Signal lamps

- Standard** = without function LEDs
- H5** with function LEDs .....
- H6** Functions LEDs with collar <sup>1)</sup> .....

#### Process connection in aluminium

- G1A** Thread G1 DIN/ISO 228 .....
- G2A** Thread G1¼ DIN/ISO 228 .....
- G3A** Thread G1½ DIN/ISO 228 .....
- G5A** Thread M30x1,5 .....
- G6A** Thread M32x1,5 .....

#### Measuring blade

**M0** **without measuring blade** ....

>>> inexpensive in plastic

- TK** Blade TK150 150x27 .....
- TK3** 3 blades TK150 150x120 .....

>>> inexpensive in stainless steel

- TD** Blade TD140 140x85 .....
- S1** Socket blade 100x30 inclined <sup>2</sup>

>in stainless steel,  
dimensions please see **DF-GI26**

- X1** Blade X50 98x50 .....
- X2** Blade X100 98x100 .....
- X3** Blade X200 180x100 .....

#### Jib extension

- W0** **Standard** = without extension
- W1** Fixed shaft 450mm ..
- W3** Pendulum shaft 500mm ..
- W4** Pendulum shaft 1000mm ..
- W6** Rope shaft 2000mm

DF11A1                     ← Order code

### Accessories

- SH** Weather protection hood in PVC, RAL 7001 .....
- Certificated only for zone 22 and in non-hazardous areas

#### Hexagonal nuts in aluminium

- SM1A** Hexagonal nut G1 .....
- SM2A** Hexagonal nut G1¼ .....
- SM3A** Hexagonal nut G1½ .....
- SM5A** Hexagonal nut M30x1,5 .....
- SM6A** Hexagonal nut M32x1,5 .....

- KV1** 2. Standard cable gland .....
- KV2** 2. Ex cable gland .....

- MG2** Mounting flange for textile silos with G1¼ .....

## Delivery from Stock

ordered until 12°° - dispatched at 16°°

- 1) **not** available together with **B1**
- 2) **not** available together with **W6**

€ Prices on request



**B0, H9, M0** and **W0** are **not needed** for order code.