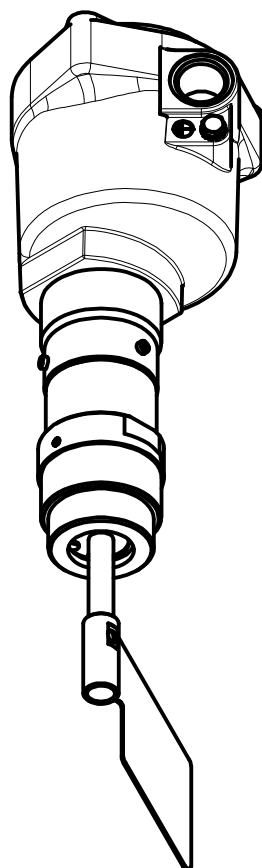


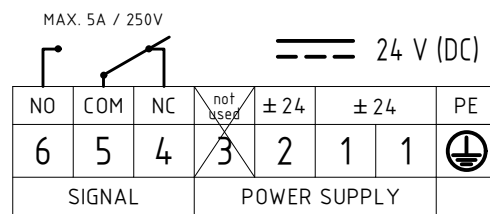
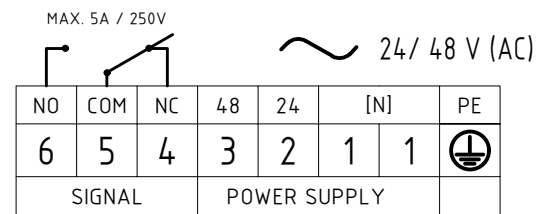
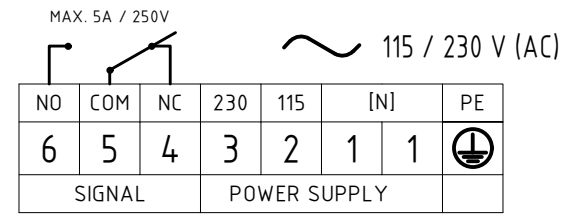
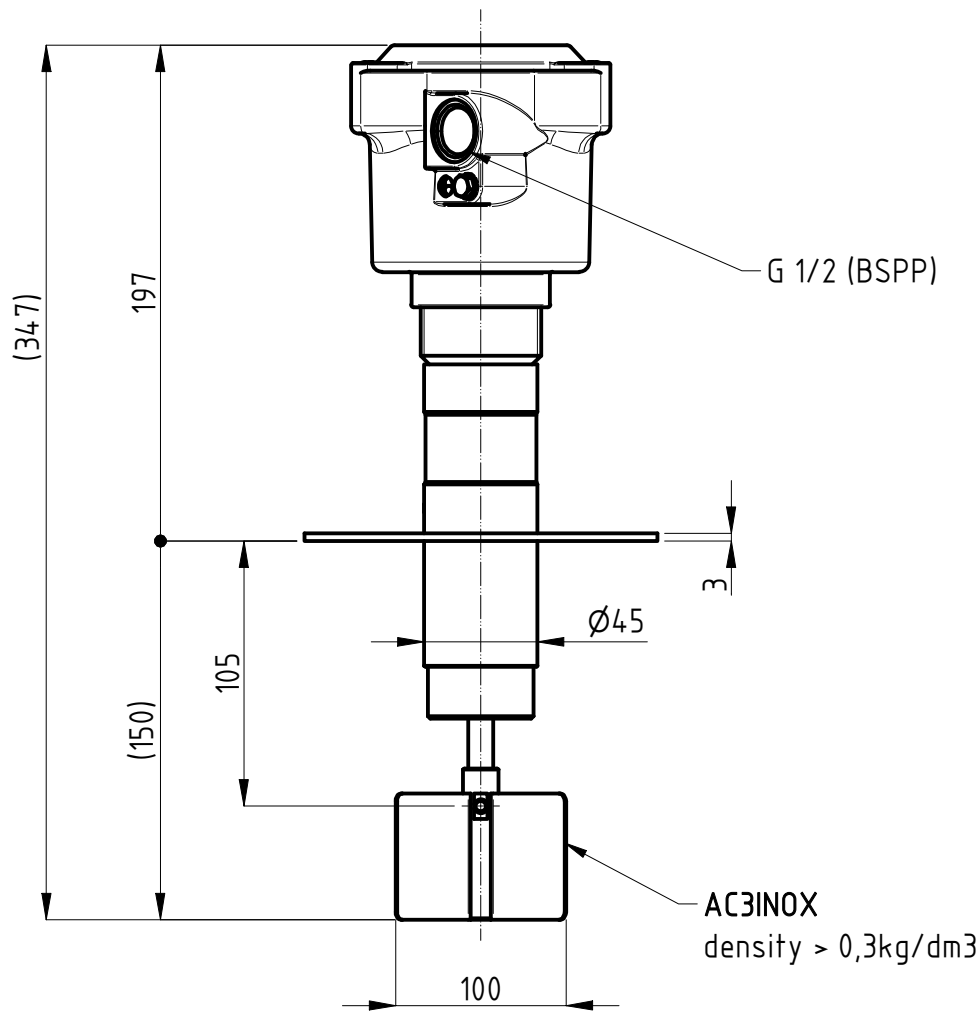
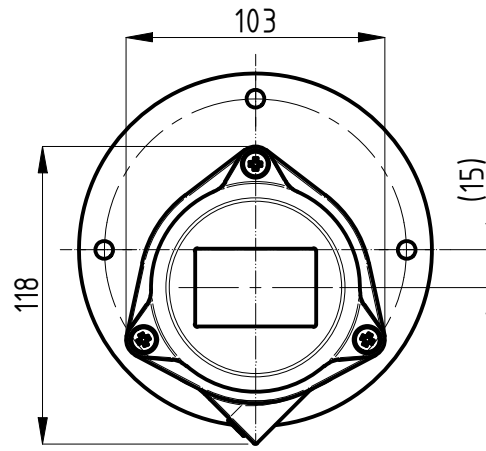
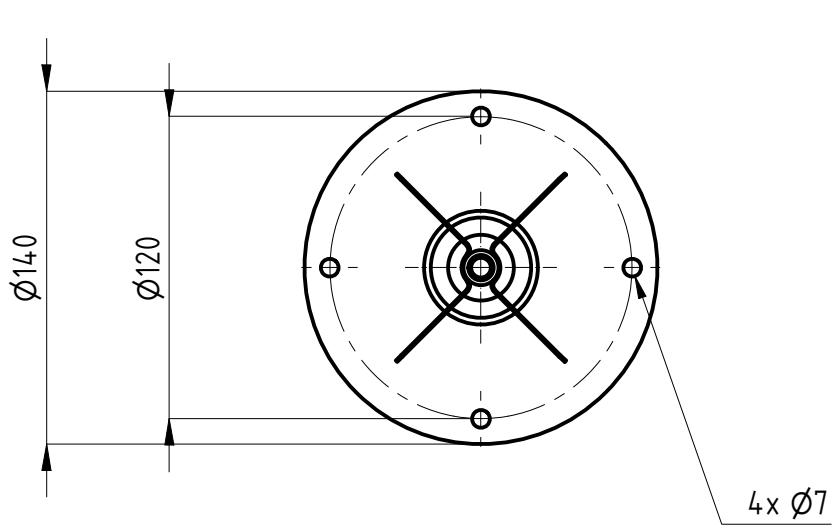
Terminals : male FASTON (.250 series / 6,3x0,8 mm)

PFG57AT

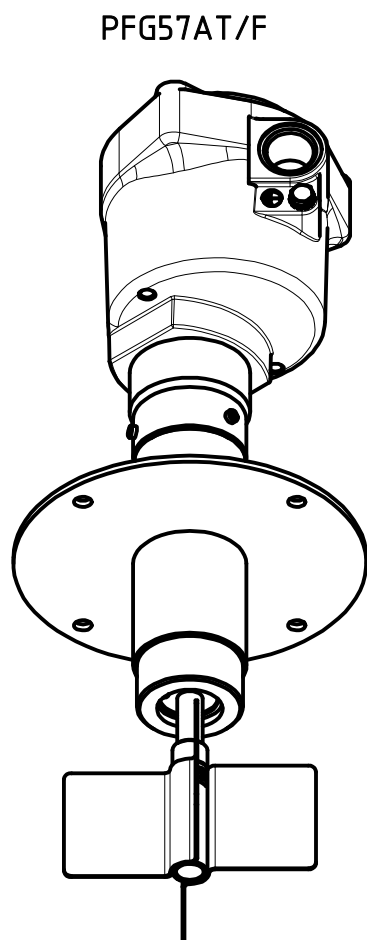


Model	PFG57AT
Weight	1,5 [kg]
Power supply	- Bivoltage 115/230[V] (50...60Hz) - 4[W] - Bivoltage 24/48[V] (50...60Hz) - 4[W] - DC 24[V] ±15% - 4[W]
Signal	SPDT / max. 5[A]-250VAC
IP grade	IP65
Housing	Aluminium (powder coated)
Connection	G1" 1/2 - AISI304
Ambient temperature	-20 < Ta < +70 [°C] -40 < Ta < +70 [°C] <i>LOW TEMPERATURE versions only (PFG.../B)</i>
Process temperature	-20 < Tp < +200 [°C] -40 < Tp < +200 [°C] <i>LOW TEMPERATURE versions only (PFG.../B)</i>
Pressure range	+0,8 ... +1,1 bar [abs]
Directives	2011/65/EU (RoHS) 2014/30/EU (EMC) 2014/34/EU (ATEX) 2014/35/EU (LVD)
Ex Marking	Ex II 1/2 D Ex ta/tb IIIC T85°C Da/Db

<p>® CAMLogic Via dell'Industria 12 42025 Cavriago (RE) - ITALY www.camlogic.it</p>		<p>DRAWING N. <b>0602_008_0</b></p>	<p>SHEET: 1 OF 5</p>
			<p>REV: 0</p>
<p>GENERAL TOL.: ISO 2768-mH</p>	<p>UNLESS OTHERWISE SPECIFIED DIMENSION ARE IN [mm]</p>	<p>DRAWING FROM CAD SYSTEM - REFER TO 3D MODEL FOR MISSING DIMENSION - NO MANUAL MODIFICATION ALLOWED</p>	<p>SCALE: <b>1:3</b></p>
			<p>DRAWN NR DATE 21.09.2021</p>



Terminals : male FASTON (.250 series / 6,3x0,8 mm)

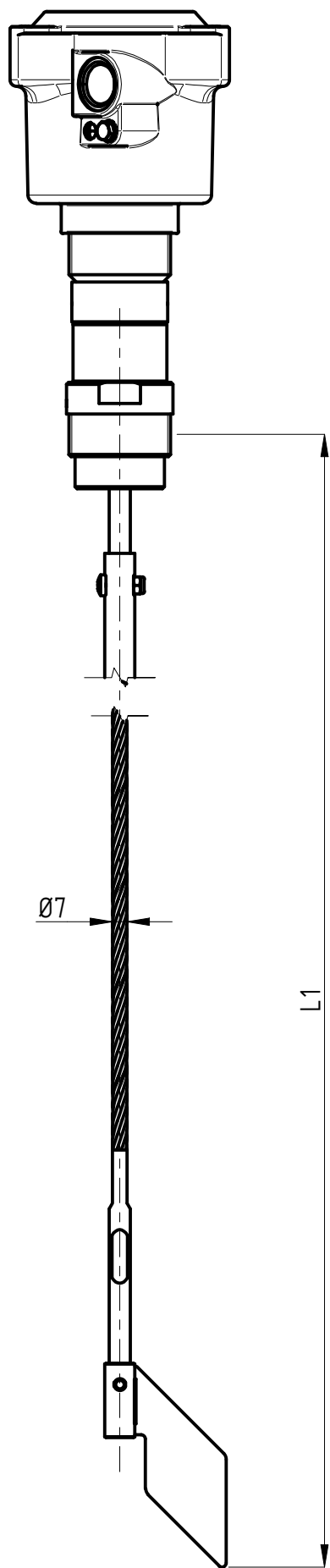


Model	PFG57AT/F
Weight	1,4 [kg]
Power supply	- Bivoltage 115/230[V] (50...60Hz) - 4[W] - Bivoltage 24/48[V] (50...60Hz) - 4[W] - DC 24[V] ±15% - 4[W]
Signal	SPDT / max. 5[A]-250VAC
IP grade	IP65
Housing	Aluminium (powder coated)
Connection	Flange - AISI304
Ambient temperature	-20 < Ta < +70 [°C] -40 < Ta < +70 [°C] <i>LOW TEMPERATURE versions only (PFG.../B)</i>
Process temperature	-20 < Tp < +200 [°C] -40 < Tp < +200 [°C] <i>LOW TEMPERATURE versions only (PFG.../B)</i>
Pressure range	+0,8 ... +1,1 bar [abs]
Directives	2011/65/EU (RoHS) 2014/30/EU (EMC) 2014/34/EU (ATEX) 2014/35/EU (LVD)
Ex Marking	Ex II 1/2 D Ex ta/tb IIIC T85°C Da/Db

<b>® CAMLogic</b> Via dell'Industria 12 42025 Cavriago (RE) - ITALY www.camlogic.it		DRAWING N.	SHEET:
		0602_008_0	2 OF 5
GENERAL TOL.: ISO 2768-mH	UNLESS OTHERWISE SPECIFIED DIMENSION ARE IN [mm]	DRAWING FROM CAD SYSTEM - REFER TO 3D MODEL FOR MISSING DIMENSION - NO MANUAL MODIFICATION ALLOWED	SCALE: 1:3
			DRAWN NR DATE 21.09.2021

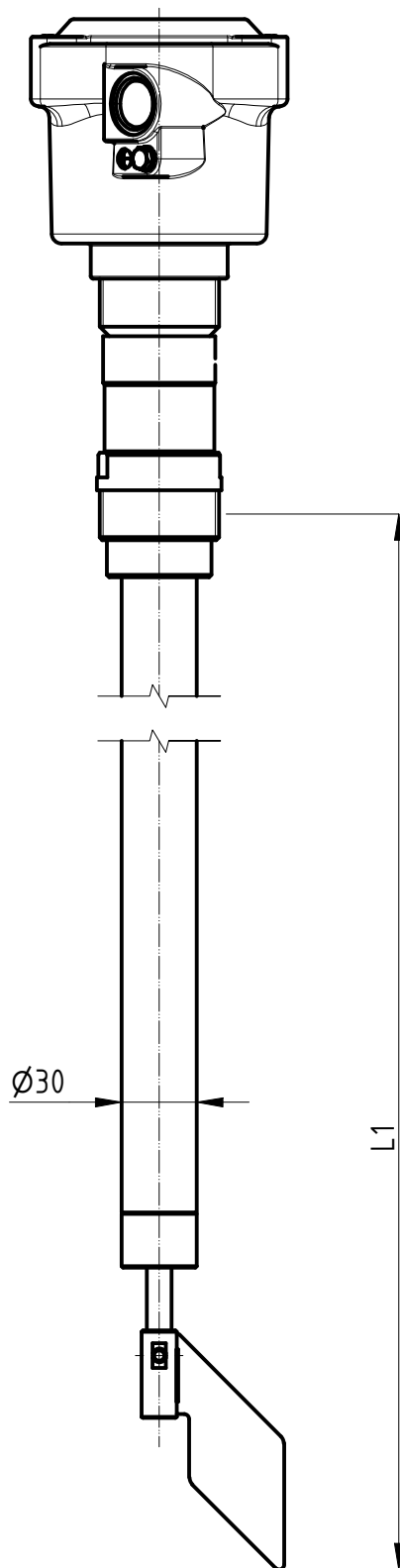
EXTENSIONS

Flexible extension  
PF : galvanized steel



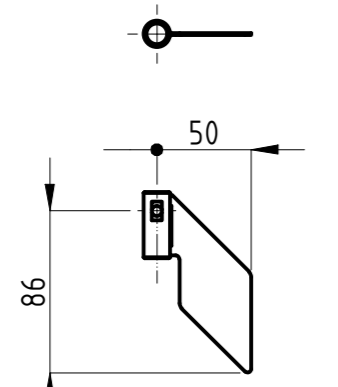
L1 [mm]
500
600
700
800
900
1000
1200
1500
2000
2500
3000
4000
5000
6000
7000
8000
9000
10000
11000
12000
other lengths available on request, up to 12m

Extension with external protection  
PA : stainless steel

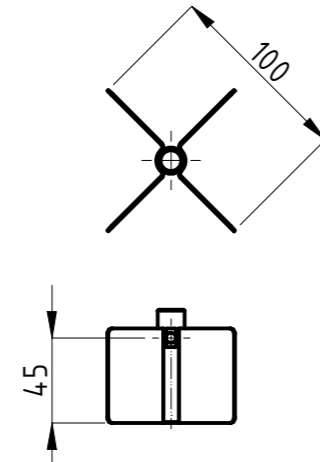


L1 [mm]
250
300
350
400
450
500
550
600
650
700
750
800
850
900
950
1000
1050
1100
1150
1200
1250
1300
1350
1400
1450
1500
other lengths available on request, up to 1,5m

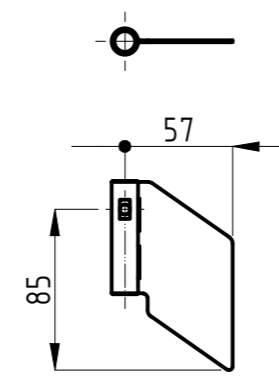
NOTE : lengths may slightly differ from the tables  
according to the type of connection, model type and  
paddle chosen



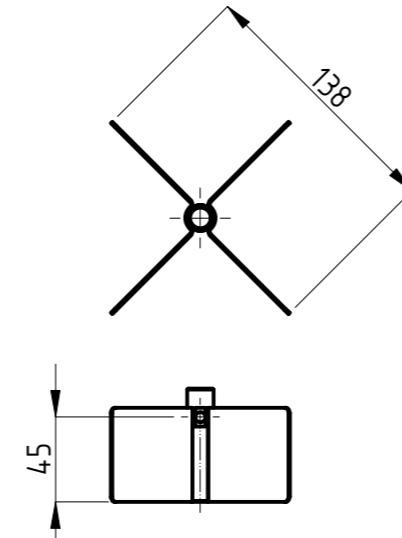
AC1 INOX  
AISI 304  
density > 1.0 kg/dm<sup>3</sup>



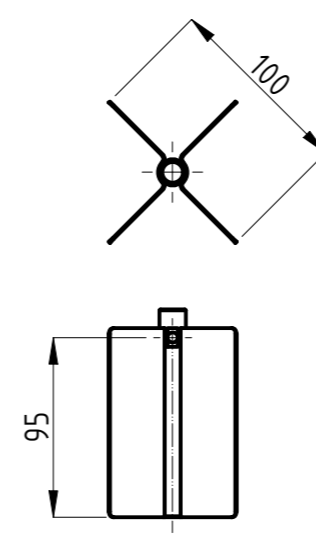
AC3 INOX  
AISI 304  
density > 0.3 kg/dm<sup>3</sup>



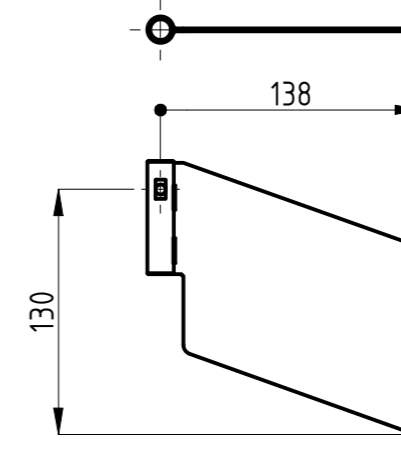
AC4 INOX  
AISI 304  
density > 0.5 kg/dm<sup>3</sup>



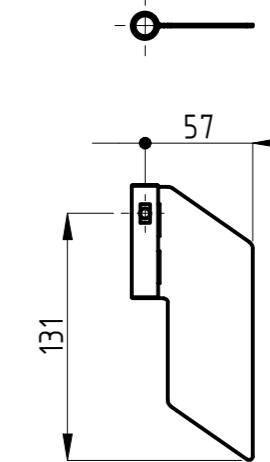
AC5 INOX  
AISI 304  
density > 0.2 kg/dm<sup>3</sup>



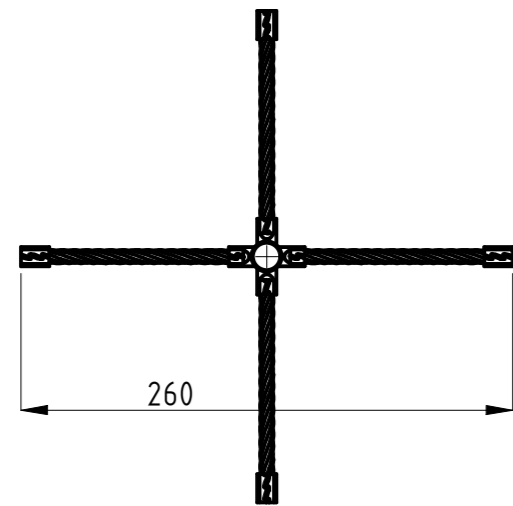
AC5L INOX  
AISI 304  
density > 0.2 kg/dm<sup>3</sup>



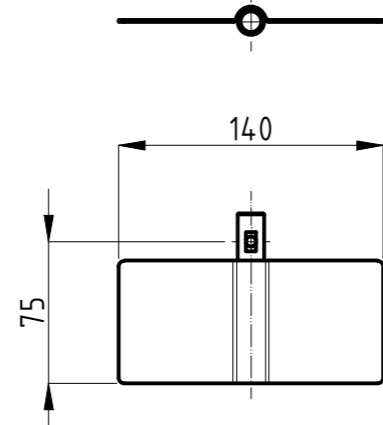
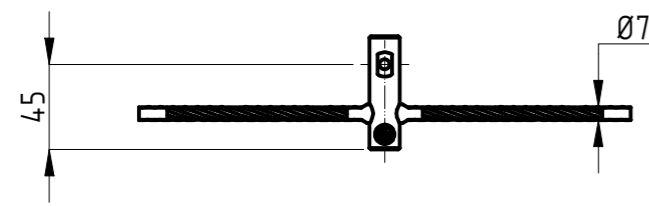
AC6 INOX  
AISI 304  
density > 0.1 kg/dm<sup>3</sup>



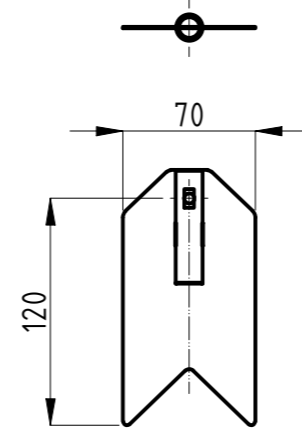
AC7 INOX  
AISI 304  
density > 0.3 kg/dm<sup>3</sup>



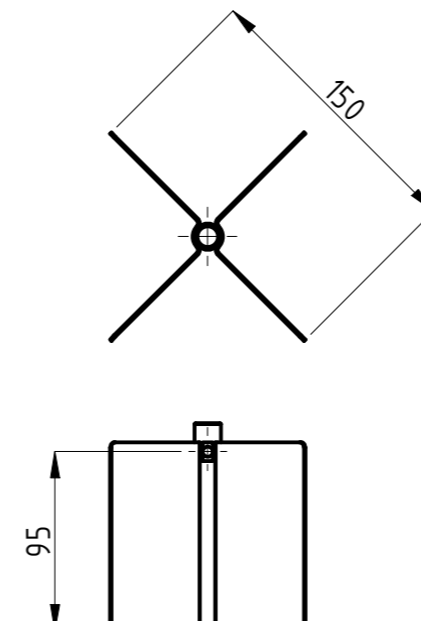
AC8  
galvanized steel (wires)  
density > 2.0 kg/dm<sup>3</sup>



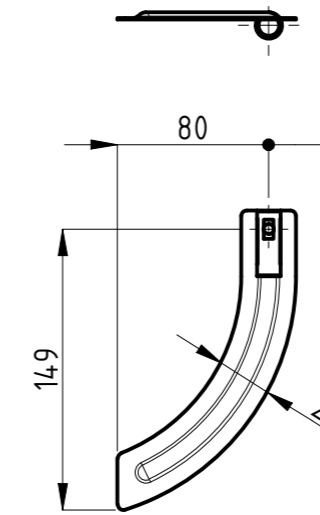
AC9 INOX  
AISI 304  
density > 0.2 kg/dm<sup>3</sup>



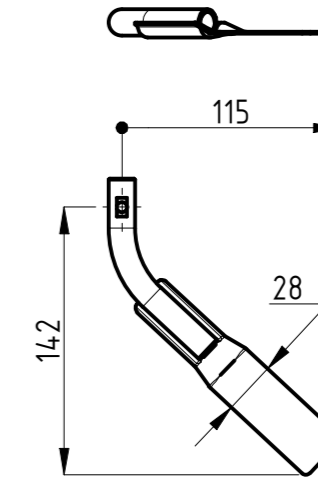
AC10 INOX  
AISI 304  
density > 0.6 kg/dm<sup>3</sup>



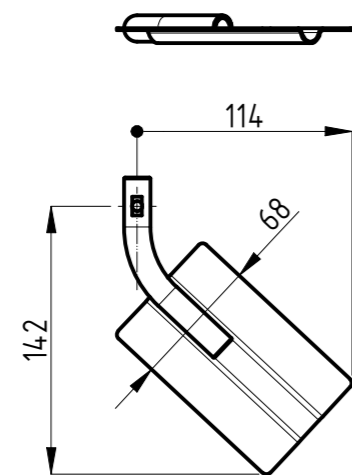
AC11 INOX  
AISI 304  
density > 0.1 kg/dm<sup>3</sup>



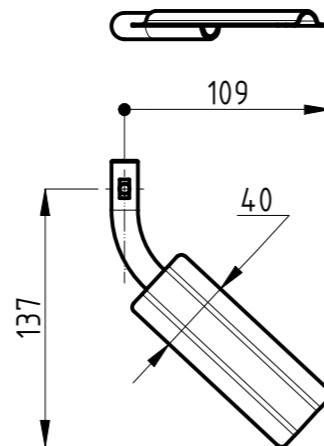
AC12 INOX  
AISI 304  
density > 0.4 kg/dm<sup>3</sup>



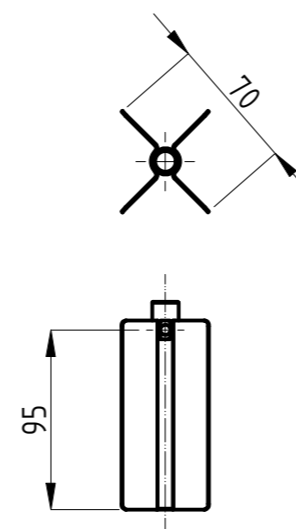
AC14 INOX  
AISI 304  
density > 0.4 kg/dm<sup>3</sup>



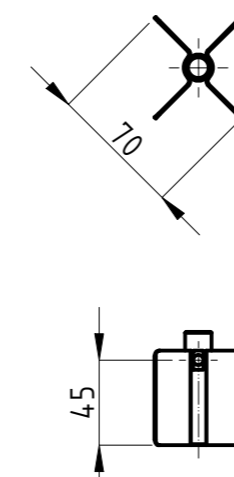
AC15 INOX  
AISI 304  
density > 0.2 kg/dm<sup>3</sup>



AC16 INOX  
AISI 304  
density > 0.3 kg/dm<sup>3</sup>



AC17 INOX  
AISI 304  
density > 0.4 kg/dm<sup>3</sup>



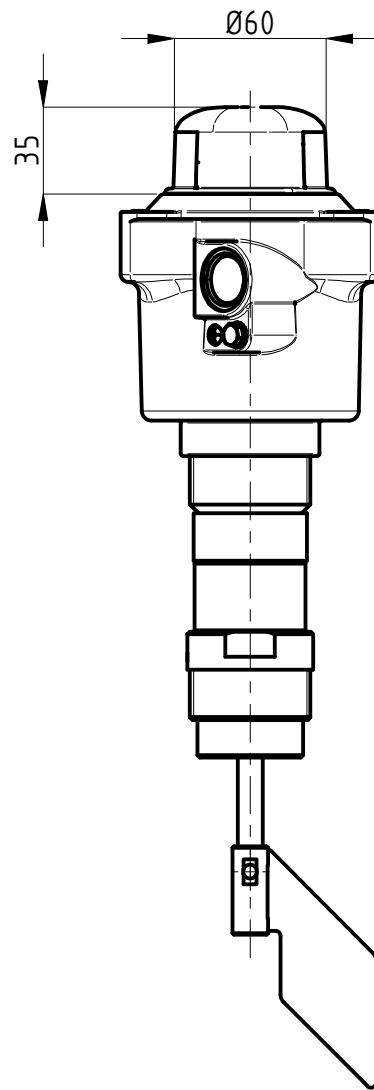
AC18 INOX  
AISI 304  
density > 0.7 kg/dm<sup>3</sup>

**OPTIONS**

**SIGNAL LAMP (PFG57.../L)**

Adds a LED lamp on top. The lamp could be connected to NC contact (MIN level - empty), or NO contact (MAX level - full).

Must define a single power supply voltage:  
 24[V]  
 48[V]  
 115[V]  
 230[V]

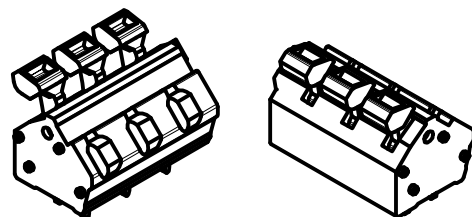


**4rpm GEARMOTOR (4R)**

Increase paddle speed (4 rpm) to reduce product detection delay time (response time ~ 1,5s)

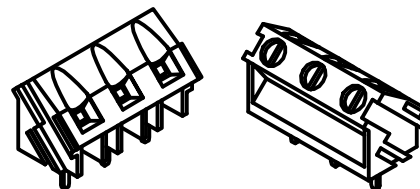
**SPRING TERMINAL BLOCK**

Terminals with spring terminal design.  
 No tool needed for wires connection.  
 0,13 - 2,5mm<sup>2</sup> (AWG26 - AWG14)



**SCREW TERMINAL BLOCK**

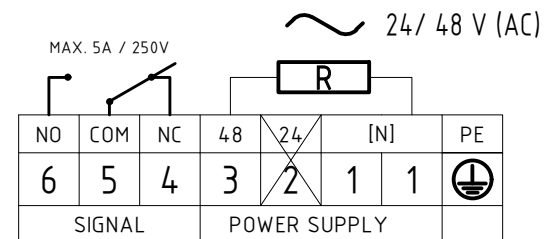
Terminals with screw terminal design (flat head)  
 0,05 - 2,5mm<sup>2</sup> (AWG30 - AWG12)



**LOW TEMPERATURE (PFG57.../B)**

Extends the range of use of the indicator down to a minimum temperature of -40 °C  
 Intelligent automatic operation: when the temperature exceeds + 20 °C it stops heating (heating OFF), it is reactivated when the temperature falls again below + 20 °C (heating ON)

Must define a single power supply voltage:  
 24[V]  
 48[V]  
 115[V]  
 230[V]



e.g 48V Heater  
 T > 20°C / P = 0.5W  
 T < 20°C / P = 6.5W