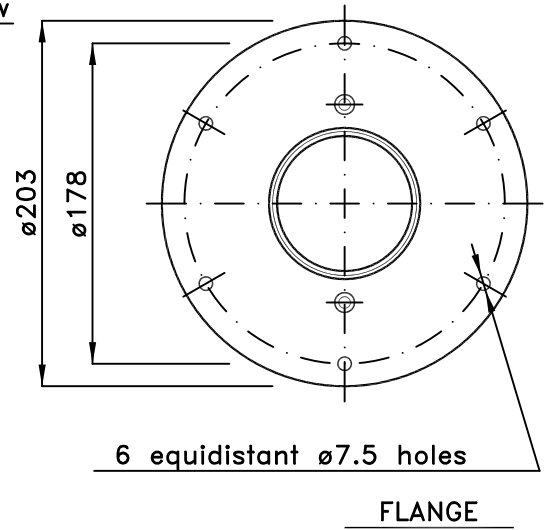
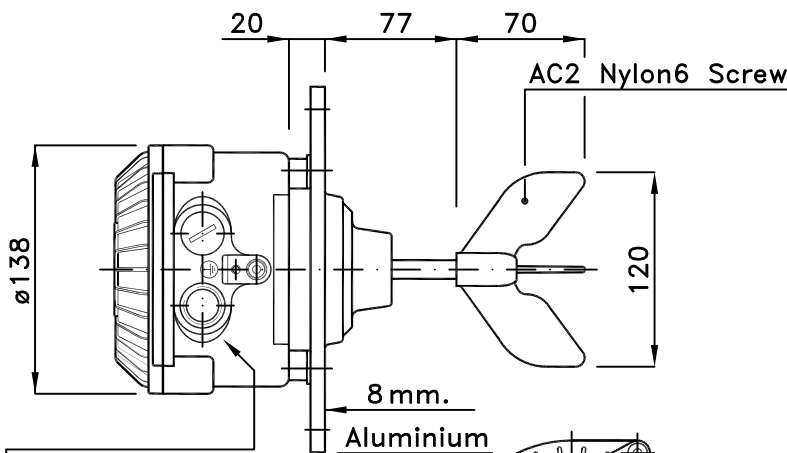
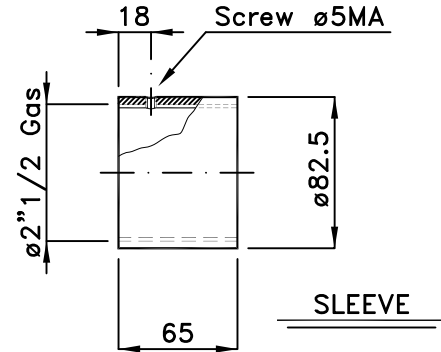
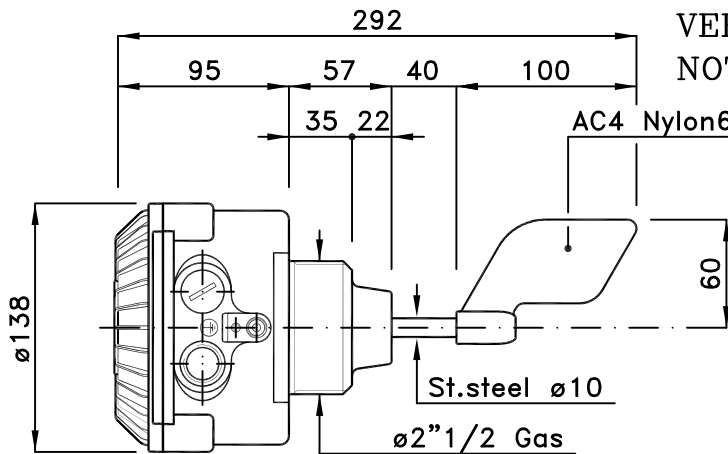
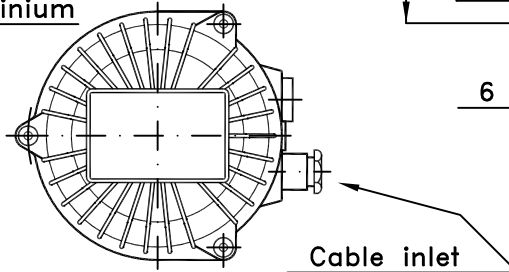


## LEVEL GAUGES vast range, long-lasting

VERSIONS WITH SLEEVE OR FLANGE  
NOT AVAILABLE WITH EXTENSION



Cable inlet  
ø1/2" Gas double  
horizontal  
on right side  
IP65 Protection



### WIRING

- 1 - Common power supply
- 2 - Power supply 110 Va.c. 50/60 Hz
- 3 - Power supply 220 Va.c. 50/60 Hz
- 6 - NC contact 10A/250 Va.c.
- 7 - Common contacts
- 8 - NO contact 10A/250 Va.c.

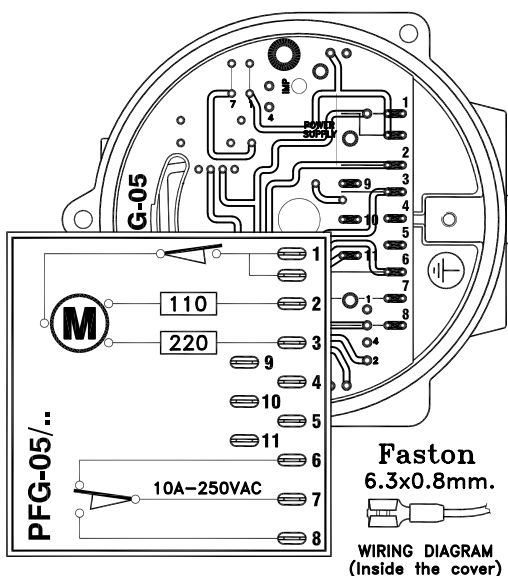
Ambient temperature range -20 to +70 °C

Weight : PFG-05/C 1.500 Kg - PFG-05/C/F 2.000 Kg

On request power supply at 24/48 Va.c.  
50/60 Hz or power supply at 24 Vd.c.

Electric motor draw 4 W

Maximum operational pressure 1.1 bar



PFG-05/C = with 2" 1/2 Gas thread - PFG-05/C/F = with flange

Certificate number TÜV IT 16 ATEX 063 X  
Marking: II 1/2 D Ex ta/ta IIC T85°C IP65 Da/Db

