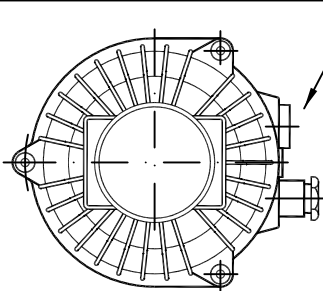
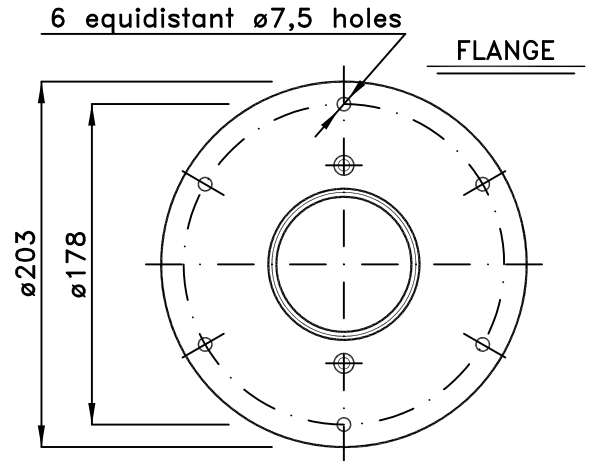
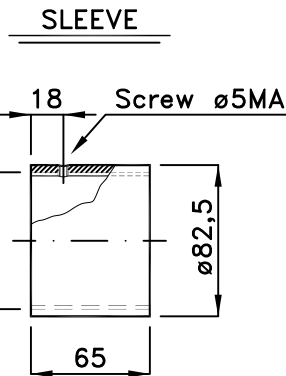


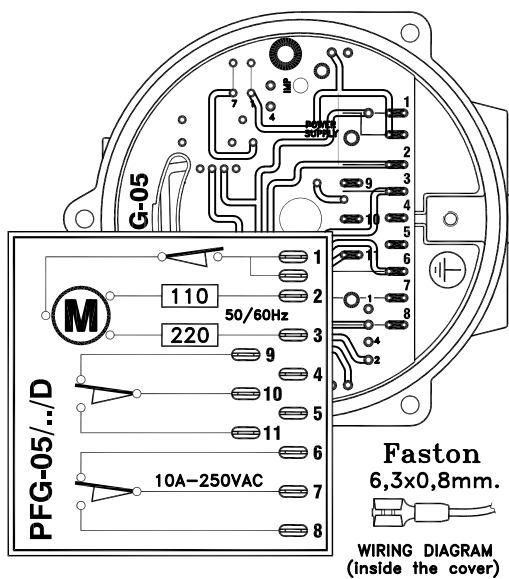
Cable inlet
 1/2" Gas double
 horizontal
 on the right side



IP65 Protection



Certificate number TÜV IT 16 ATEX 063 X
 Marking: II 1/2 D Ex ta/ib IIC T85°C IP65 Da/Db



WIRING

- | | |
|----|---------------------------------|
| 1 | Common power supply |
| 2 | Power supply 110 Va.c. 50/60 Hz |
| 3 | Power supply 220 Va.c. 50/60 Hz |
| 6 | 1° NC contact 10A/250 Va.c. |
| 7 | 1° Common contacts |
| 8 | 1° NO contact 10A/250 Va.c. |
| 9 | 2° NC contact 10A/250 Va.c. |
| 10 | 2° Common contacts |
| 11 | 2° NO contact 10A/250 Va.c. |
- Ambient temperature range -20 a +70 °C
 Weight : PFG-05 1,700 Kg - PFG-05/F 2,200 Kg
 On request power supply at 24/48 Va.c. 50/60 Hz or power supply at 24 Vd.c.
 Maximum operational pressure 1.1. bar

Electric motor draw 4 W

PFG-05 = with 2" 1/2 Gas thread - PFG-05/F = with flange

DOUBLE CONTACT BLADED LEVEL GAUGE WITH LED LAMP PFG-05/L/D | D4160