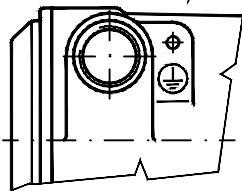


* on request length to be defined

ø1/2" Gas Outside casing ground



Die-cast aluminium casing UNI5076

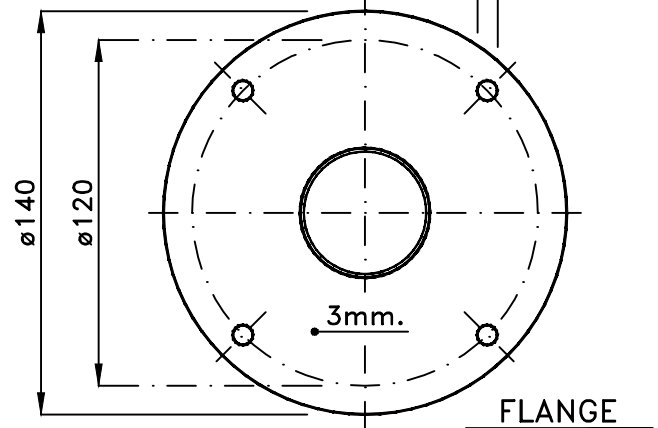
Standard AC3 4 vane Stainless Steel screw.

Wiring with antivibrations cable terminals (Faston).

Stainless Steel flange.

Maximum dimension hole on counterflange = ø105.

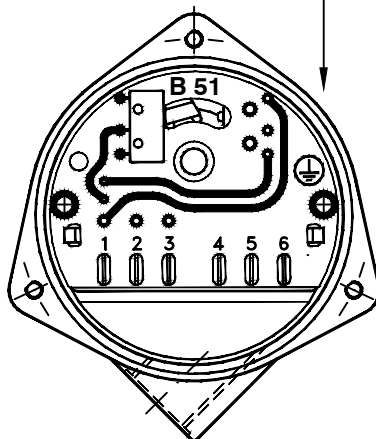
4 ø7 holes



WIRING

FLANGE

Inside casing ground



Faston 6.3x0.8mm.



- 1 - Common power supply
- 2 - Power supply 110 Va.c. 50/60 Hz
- 3 - Power supply 220 Va.c. 50/60 Hz
- 4 - NC contact 5A/250 Va.c.
- 5 - Common contacts
- 6 - NO contact 5A/250 Va.c.

Electric motor draw 4 W

Ambient temperature range -20 to +70 °C

Weight : 1.200 Kg

On request power supply at 24/48 Va.c. 50/60Hz

And also at 24 Vd.c.

Maximum operational pressure 1.1 bar

IP65 Protection

Max. temp. inside storage bin 200°C

Certificate number TÜV IT 13 ATEX 070
Marking: Ex II 1/2 D Ex ta/ib IIC T85°C IP65 Da/Db



SMALL-SIZED BLADED LEVEL GAUGE PARTICULARLY SUITABLE FOR USE ON SMALL TANKS OR BATCHING CELLS.

PARTS IN CONTACT WITH THE PRODUCTS ARE MADE OF STAINLESS STEEL

PFG-57/AT/F HIGH TEMPERATURE LEVEL GAUGE | D3687