

SGT 14-085-016-A1-C-01-0.5-J5

Self-Contained Light Curtains

Standard, Light Curtains

Compatible Receivers:

SGR 14-085-016-A1-C-08-0.5-J5, SGR 14-085-016-A1-C-09-0.5-J5




Product Data	
Function:	Transmitter
Supply Voltage:	12 - 36 V dc
Housing:	12 x 30 mm
Connection:	0.5 m cable with 5 pin, M12 plug
Sensing Range:	10 m
Features:	-
Number of Channels:	16
Active Height:	695 mm
Output:	-
Output Status:	-
Response:	-
Length:	850 mm
Operation Mode:	Thru Beam

Technical Data	
Supply Voltage:	12 – 36 V dc
Reverse Polarity Protected:	Yes
Short Circuit Protected:	-
Current Consumption:	70 mA
Power On Indicator:	Green LED
Output Indicator:	-
Light Source:	Infrared (880 nm)
Housing Material, Profile:	Aluminium (black anodised)
Housing Material, Front Lens:	Polycarbonate
Cable:	3 x 0,20 mm ²
Output Rating:	-
System Status Indicator:	-
Cable Sleeve:	PVC Ø 4,9 mm

Test Input:	Yes
Spacing between bottom & Ch1:	25 mm
Min. / Max. Sequential Blanking Speed:	1,6 m/s / 0,05 m/s
Profile Dimensions (w x d):	Slim Line (C), 12 x 30 mm
Channel Spacing:	46 mm

Environmental Data	
Operation Temperature:	-20 to +65 °C
Storage Temperature:	-40 to +80 °C
Sealing Class:	IP 67
Light Immunity 5°:	> 100 000 lux


Approvals



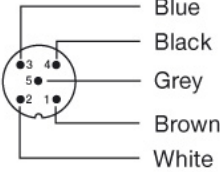
Connections

5 pin, M12

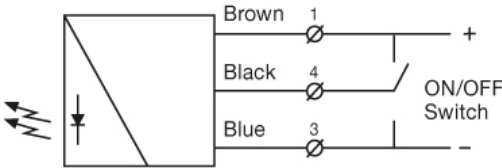
Sensor Plug
(Male)



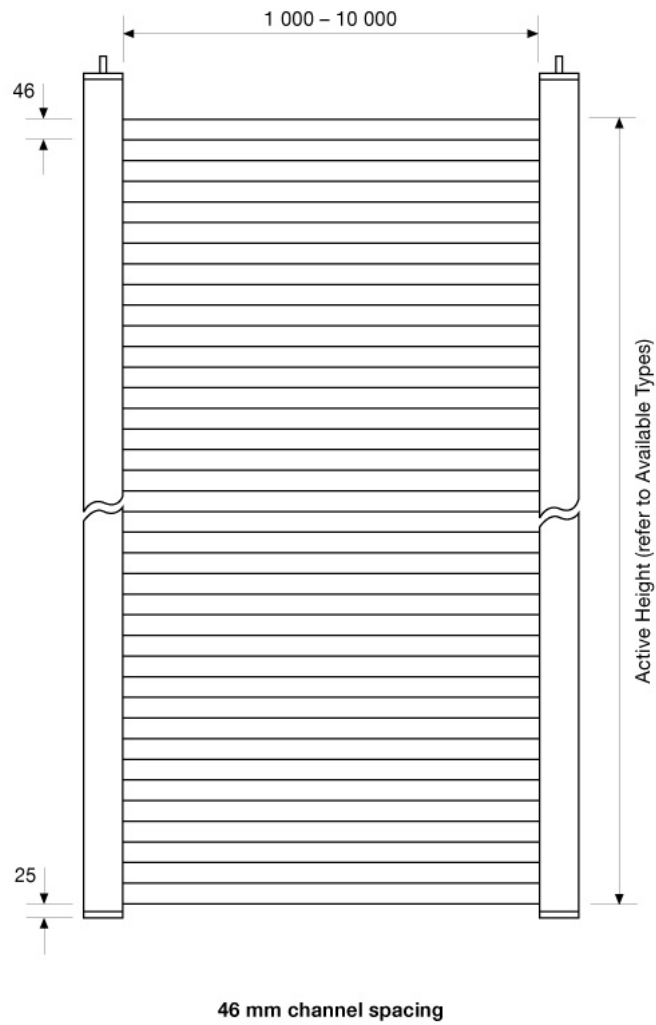
Cable Plug
(Female)



Wiring Diagram



Beam Patterns



Sensing Characteristics

Parallel Displacement

