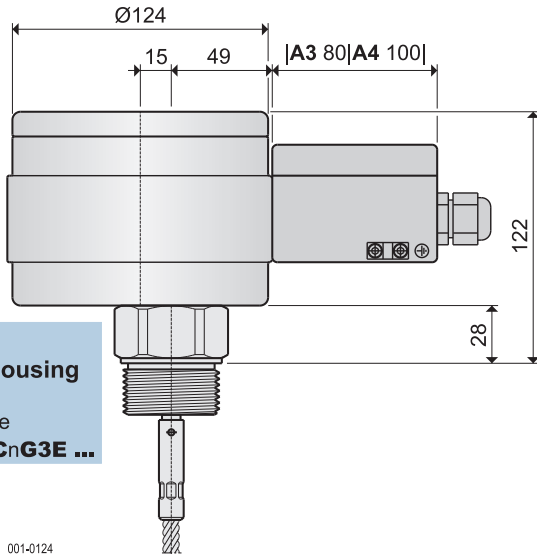


Full, empty and demand indicator for vertical mounting with pendulum shaft

Signal contact 2 A / 250V AC potential-free  
 Type of protection IP66 in accordance with DIN EN 60529  
 Maintenance none



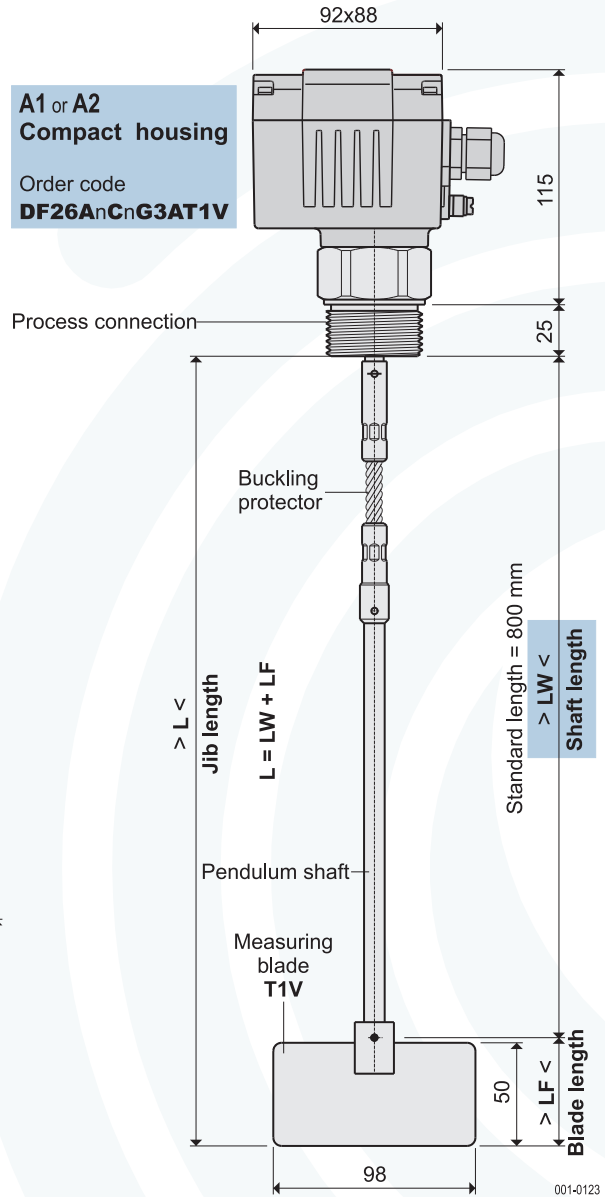
A3 or A4  
Round housing

Order code  
DF26AnCnG3E ...

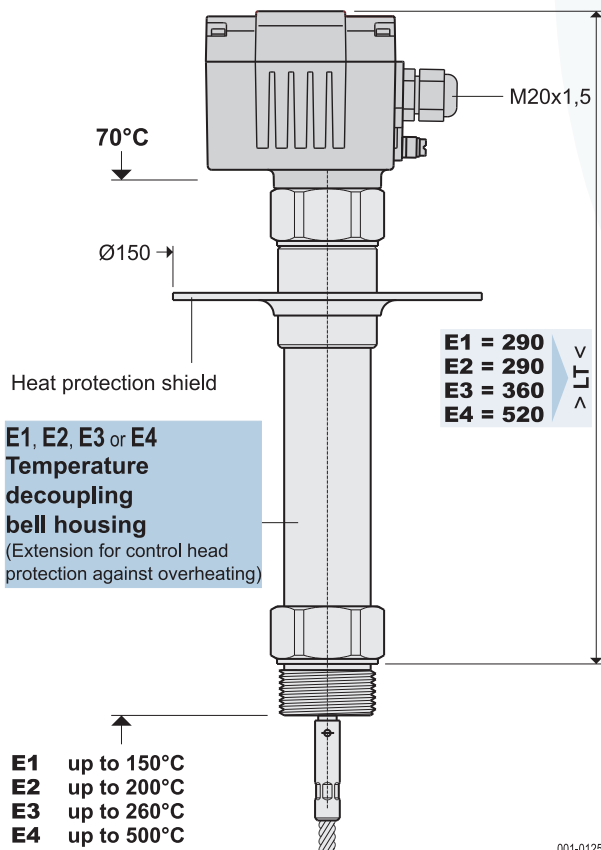
001-0124

A1 or A2  
Compact housing

Order code  
DF26AnCnG3AT1V



001-0123



E1 up to 150°C  
 E2 up to 200°C  
 E3 up to 260°C  
 E4 up to 500°C

001-0125

You will find further technical details under appliance information DF-GI-..

