

Full, empty and demand indicator for any mounting position, large range of applications

Signal contact

2 A / 250 V AC potential-free

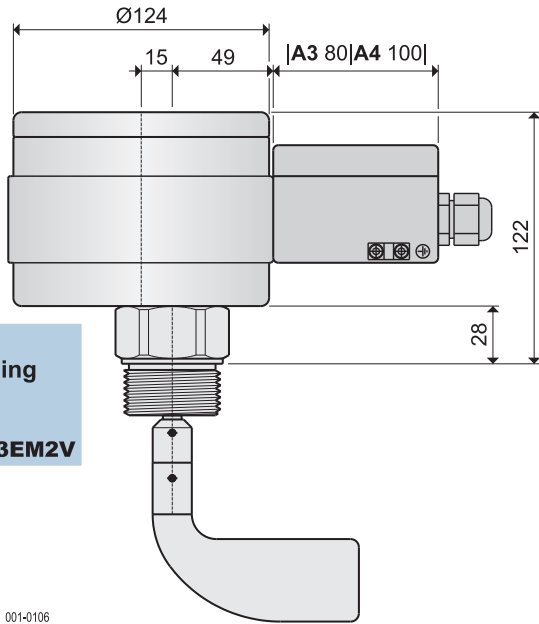
Type of protection

IP66 in accordance with DIN EN 60529

Maintenance

none

4

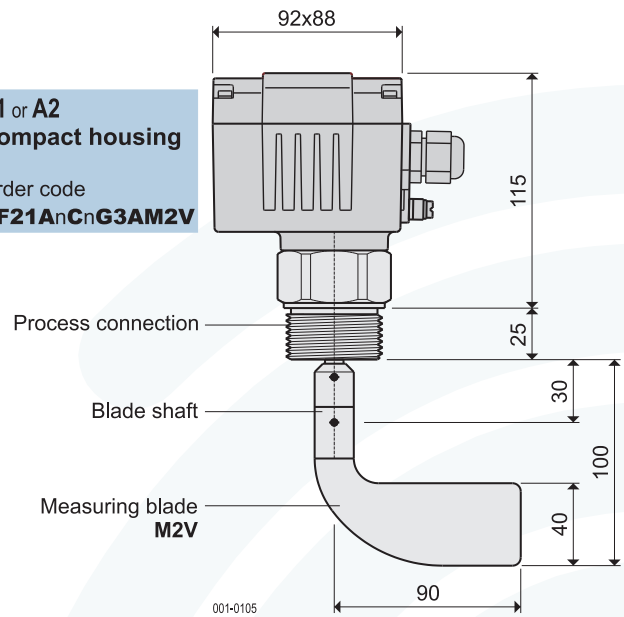


A3 or A4
Round housing

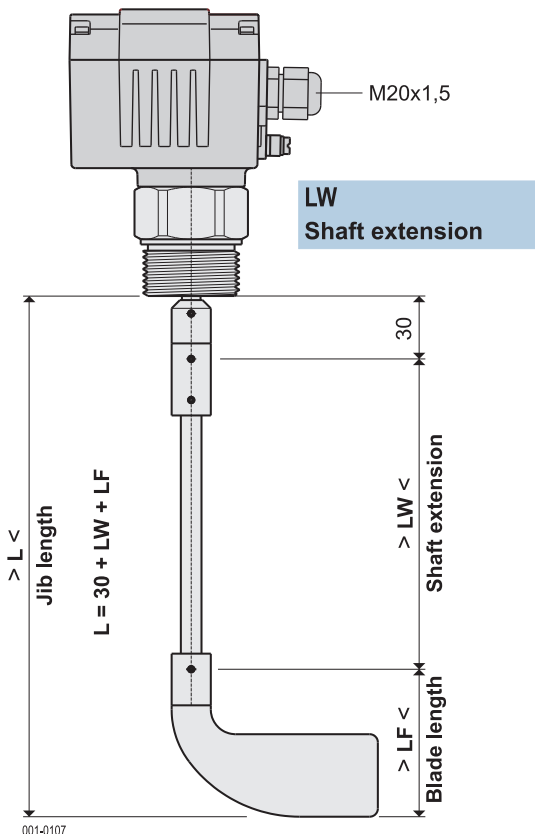
Order code
DF21AnCnG3EM2V

A1 or A2
Compact housing

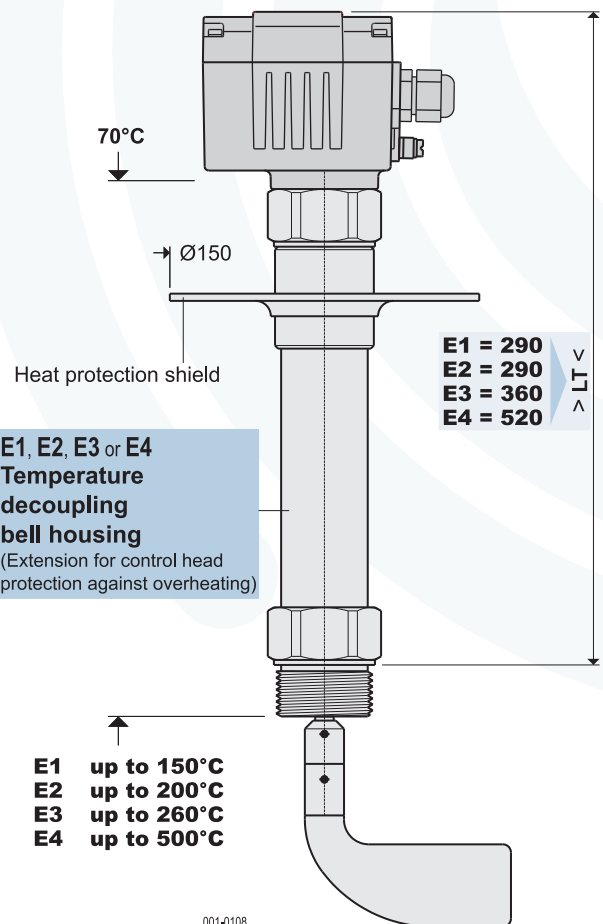
Order code
DF21AnCnG3AM2V



You will find further technical details under appliance information **DF-GI-**



LW
Shaft extension



E1, E2, E3 or E4
Temperature decoupling bell housing
(Extension for control head protection against overheating)

E1 = 290
E2 = 290
E3 = 360
E4 = 520

E1 up to 150°C
E2 up to 200°C
E3 up to 260°C
E4 up to 500°C

