

Full, empty and demand indicator for vertical mounting
with short process connection for reduced installation height
for installation in the discharge taper of bellow feeders

Signal contact	2 A / 250V AC potential-free
Ambient temperature	70 °C at the housing
Type of protection	IP66 in accordance with DIN EN 60529
Maintenance	none

The compact
DF30 fits in every
discharge taper !

We deliver any form of
measuring blade
as per your
request.

Rotation speed
of measuring blade 5 rpm
(short response times)

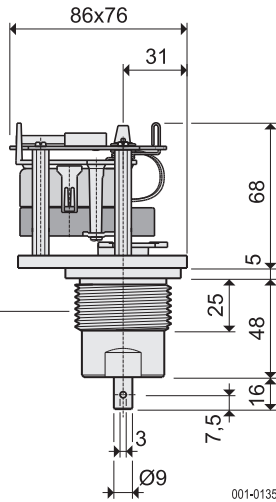
4

without housing
(on mounting plate)

Order code
DF30CnG3A

Process connection G1½

without measuring blade



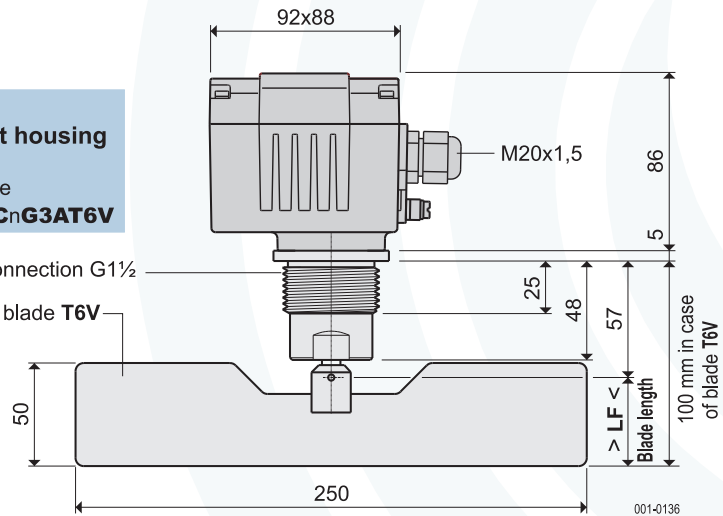
001-0135

A1 or A2
Compact housing

Order code
DF30AnCnG3AT6V

Process connection G1½

Measuring blade T6V



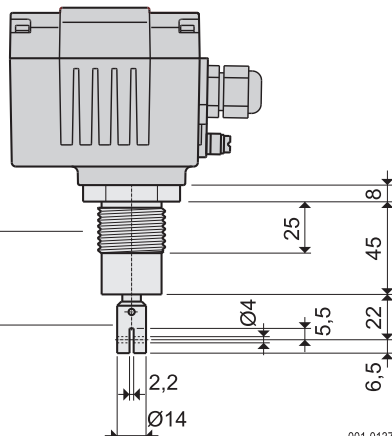
001-0136

A1 or A2
Compact housing

Order code
DF30AnCnG1EM7

Process connection G1E

Measuring blade adapter M7



001-0137

You will find further technical details
under appliance information DF-GI-..

