



By use in explosive hazardous areas read and follow the

special conditions and instructions for safe application

of the attached

explosive protection information

B3 / B1 / B5



first and take notice of the operating instructions.

Operating instructions

1. Description

1.1 Intended use

The level indicator observes the filling level as a limit switch in silos and vessels. It can be used as full, demand and empty indicator for dusty and powdery, granulated and grainy bulk goods with a max. grain size up to 30 mm and with a bulk density of 0.3 t/m³ ... 2.5 t/m³.

1.2 Function

The bulk goods presses with its weight against the membrane. A tappet directly transfers the pressure from the membrane to the switch. When the bulk goods are decreasing, pressure is taken off the membrane and the switch will be interconnected.

1.3 Technical data

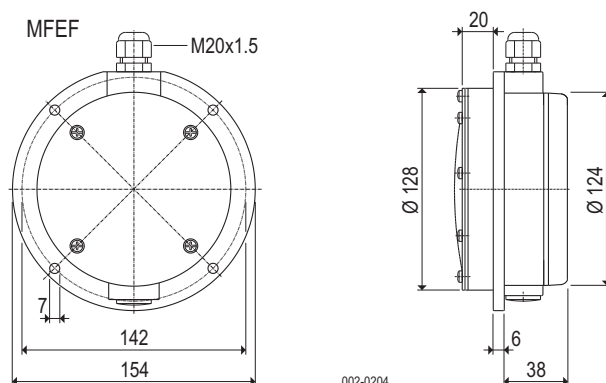
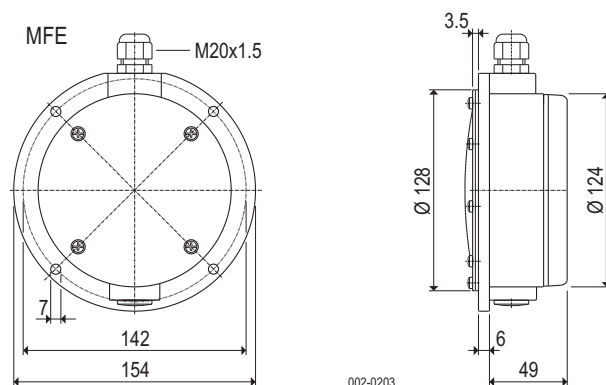
Manufacturer	MOLLET Füllstandtechnik GmbH
Address	Industriepark RIO 103 74706 Osterburken
Name	Membrane level indicator
Type	MFE (GFK) and MFE-A (Alu) MFEF (GFK) and MFEF-A (Alu)
Temperature range	GFK Aluminium Ta -20 °C ... +60 °C -25 °C ... +80 °C
Signal contact	change-over contact, potentialfree
max. Switching voltage	see Type plate
max. Braking capacity	see Type plate
Sensitivity	60 g ... 200 g adjustable
Response delay	none
Cable connection	Scrwe M4
Cable entry	Cable gland M20x1.5
Type of protection acc. to DIN EN 60529	IP IP40 IP53 if cable gland is upwards IP65 with stainless steel membrane IP66 with aluminium housing
Overpressure safety	up to 1 bar
Weight	MFE 0.48 kg MFE-A 0.95 kg MFEF 0.49 kg MFEF-A 1.00 kg
Maintenance	none
Mounting position	any position

1.4 Materials

Type	Housing
MFE(F)- . .	= GFK (glass-fibre reinforced plastics)
MFE(F)-A . .	= Aluminium

Type	Membrane	Mounting ring
MFE(F)- . NN	= NBR	Steel, galvanized
MFE(F)- . VN	= VITON	Steel, galvanized
MFE(F)- . NE	= NBR	Stainless steel 1.4301 / 304
MFE(F)- . VE	= VITON	Stainless steel 1.4301 / 304
MFE(F)- . EE	= 304	Stainless steel 1.4301 / 304

1.5 Dimensions



2. Installation

2.1 Preparation

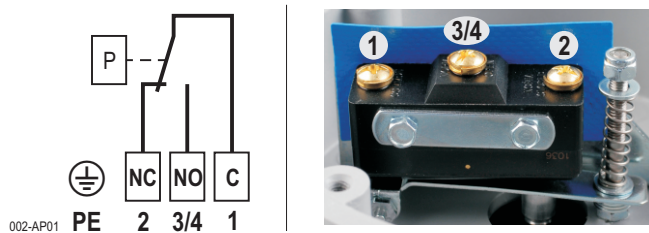
- Check the membrane of visual transport damage.
- Read and follow the safety instructions and the operating instructions, before handling with the device !

2.2 Mounting in the vessel

Position the level indicator with the gasket at the provided flange and fix it with 4 washers and screws M6.

2.3 Electrical connection

Circuit diagram

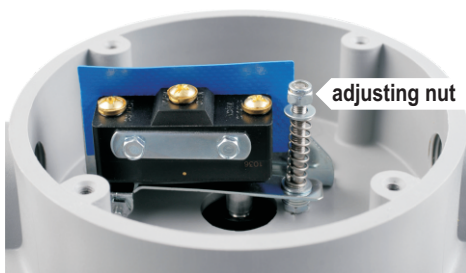


2.4 Cable gland

- After electrical connection, tighten the cable gland.
- Screw the cap nut, until the cable entry is closed tightly.

3. Commissioning

- Put the level indicator into operation only, if the installation and the electrical connection have been done correctly.
- The level indicator is presetted at sensitive.
- With the adjusting nut the device can be adjustable insensitive. Clockwise insensitive.



4. Utilization

4.1 Normal operation

- Use the level indicator in its intended application only.
- The level indicator is provided for use in silos or vessels with pressureless operation.
- Comply with the specifications on the data plate. Check the membrane of the level indicator, when the permissible temperature of bulk goods was exceeded or was fallen short off.
- Damaged devices have to put out of operation immediately.

4.2 Inexpert handling

- Ignoring of the safety instructions and the operating instructions.
- Not intended use.
- Mounting of spare parts which are no original parts.
- Violation against applicable law and standards.

5. Maintenance and servicing

5.1 General informations

- Do maintenance work only, if the silo or the vessel is empty and if there is no overpressure or vacuum.
- Use original spare parts only.

5.2 Maintenance

- Inspect in regular intervals if there is any wear or abrasion at the membrane. Define the control intervals, depending on the characteristics of the bulk goods.
- In case of damage or abrasion, replace the membrane immediately with a new membrane.

5.3 Servicing

- Damaged parts have immediately replaced with similar.
- Until the complete reconstruction of the proper function, the level indicator must not be used any more.

6. Storage

- Store the level indicator dry and dust-free.
- Protect the membrane against pointed objects and ultraviolet radiation.

7. Disposal

- The level indicator can be recycled.
- The disposal applies to the valid environmental guidelines according to the location of the carrier and the local manufacturing conditions.

Membrane level indicator
Level limit switch for bulk goods

MFE

Dust



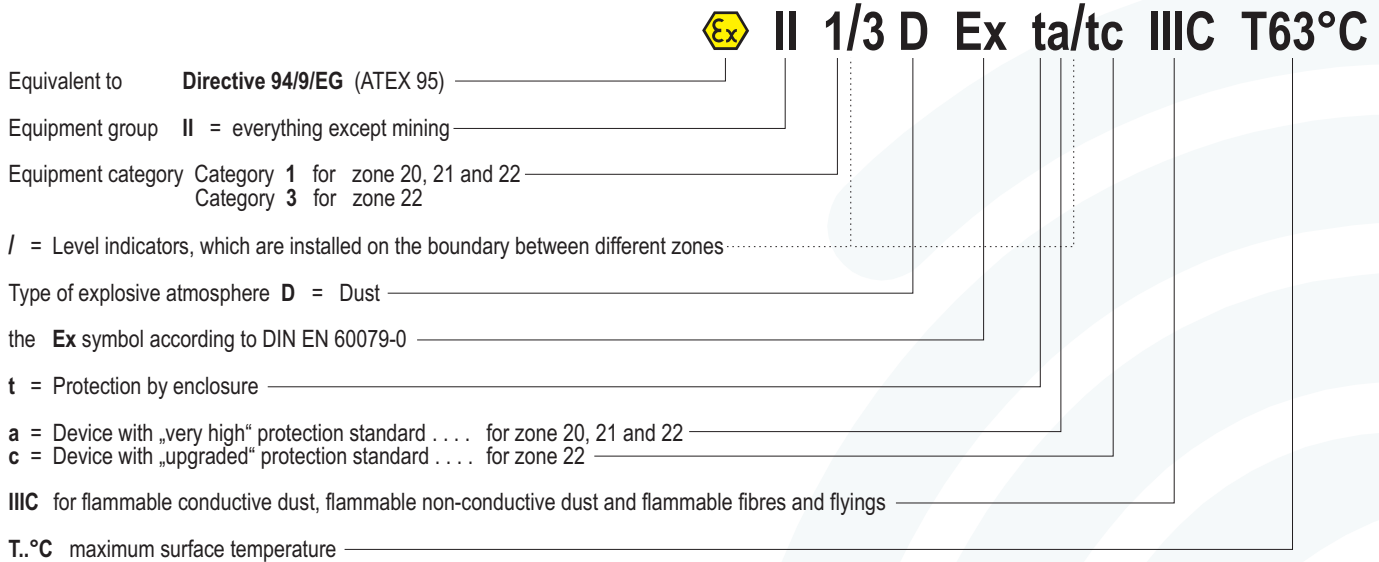
Explosion protection information
and supplement to the operating instructions

Type plate details B3
Dust

<p>Manufacturer and address</p> <p>MOLLET Füllstandtechnik GmbH Industriepark RIO 103 D-74706 Osterburken Tel. +49 62 91 64 400</p>		<p>CE sign with the number of the "Notified Body" which is involved in the production control phase</p> <p>CE 0044</p>		<p>Connection diagram</p>	
<p>Model designation</p> <p>Typ MFE-...B3</p>		<p>Dust marking</p> <p> II 1/3D Ex ta/tc IIIC T 63 °C</p>		<p>Details to loadability of the signal contact</p> <p>Contact 4 A 240 V~</p>	
<p>Unique serial number</p> <p>S# 1234567890 A.-Nr. 1234567890</p>		<p>Ambient temperature (Operation temperature)</p> <p>-20 °C ≤ Ta ≤ +60 °C</p>		<p>Type of protection</p> <p>IP65</p>	
<p>Number which the order was handled</p> <p>03/10</p>		<p>Month and year of delivery</p> <p>IBExU06ATEX1068</p>		<p>EC-type examination certificate number</p> <p>03/10</p>	

Marking in accordance with ATEX 95 and DIN EN 60079-0:2009

Membrane level indicator for use on the boundary from zone 20 to zone 22.



Order code **B3**

Marking: **II 1 / 3 D**



Equipment category appropriation by zones

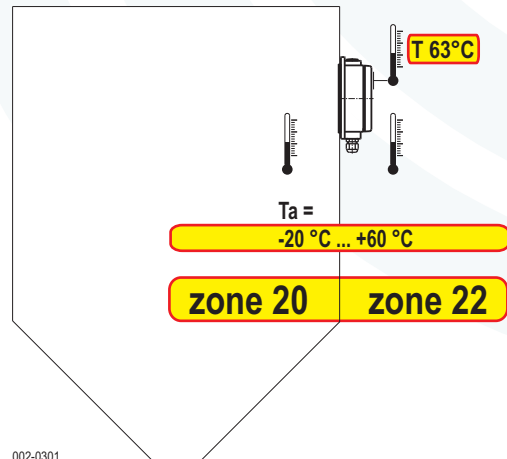
Membrane level indicator for use on the boundary from zone 20 to zone 22.

Ambient temperatures Ta

The ambient temperature **Ta** defines the maximum operating temperature of the indicators. Inside the vessel this is process temperature (the air or the bulk goods temperature) nearby the device.

maximum surface temperature T

The maximum surface temperature means the hottest point at the equipment.



MOLLET Füllstandtechnik GmbH Industriepark RIO 103 D-74706 Osterburken Tel. +49 62 91 64 400		0044	NO NC
Typ MFE-...B3	II 1/3D Ex ta/tc IIIC T 63 °C	Contact 4 A 240 V~	
-20 °C ≤ Ta ≤ +60 °C			
S# 1234567890 A.-Nr. 1234567890 03/10	IBExU06ATEX1068	IP65	<input type="checkbox"/>



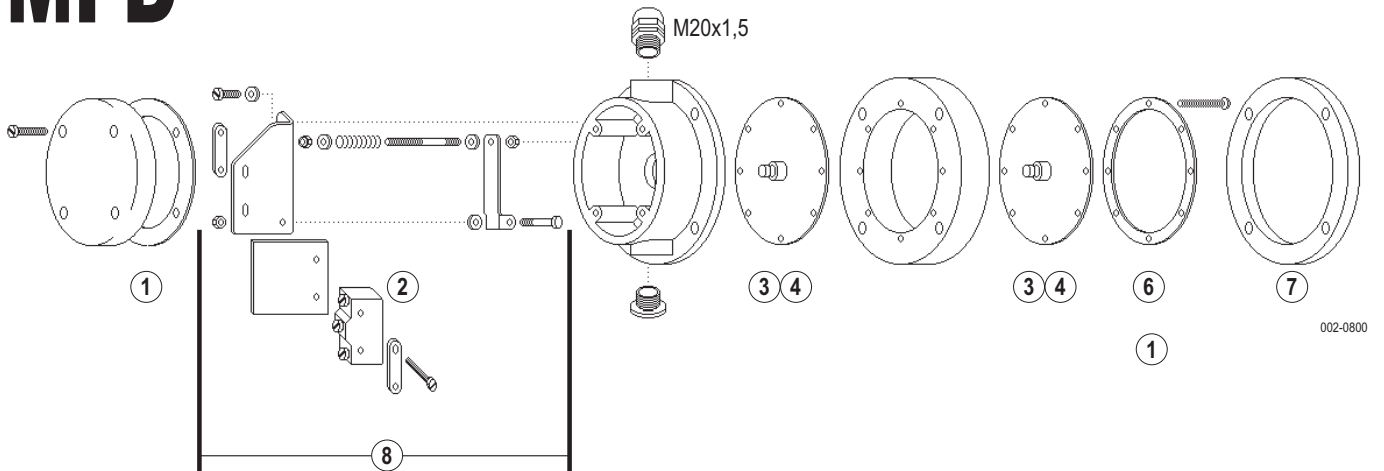
Special conditions and instructions for safe application

1. The installation, maintenance, initial operation, removal and repair have to be controlled resp. checked by an “authorized person” for explosion protection.
2. For the electrical connection you have to take notice of the local and statutory requirements and/or the VDE 0100.
3. Take notice of the specifications on the data plate.
4. A fuse (with max. 4A) has to be connected in series to the voltage supply.
5. Protect the signal contact from voltage peaks when inductive loads are connected.
6. As soon as the device will be brought into the explosion hazardous area it has to be mounted immediately at the pre-caused place and a cable has to be brought into the cable gland.
7. Please check if the cable gland have loosened during on the mounting or at the transport. When it is loosened, it has to be fitted again with a torsional force of 3.75 Nm.
8. To secure the type of protection, the screw nut of the cable gland has to be fixed at the installation with a torsional force of min. 2.7 Nm.
ATTENTION! If it will be fastened too strong, the IP-protection can be affected.
9. The earth connection of the device has to be installed in such a way that mechanical damage will be excluded.
10. The device may put into operation with built-in cap-sealing and when it is closed, only.
11. Switch off the power supply, before opening the device. (touchdangerous voltage)
12. Depending on the bulk goods characteristics and the wear, the carrier has to define resp. to find out in which intervals the membrane of the level indicator has to be checked for leakage to keep the type of protection (Dust-proof). This inspection has to be repeated regularly. If there is a fault, the membrane has to be replaced with a new membrane.
13. Take notice of the requirements of DIN EN 60079-14, DIN EN 60079-17 and DIN EN 1127-1, especially regarding the dust deposits and temperatures and follow the pertinent rules and regulations.
14. Clean the device with a moist towel only. Don't use any pointed objects or solvents.



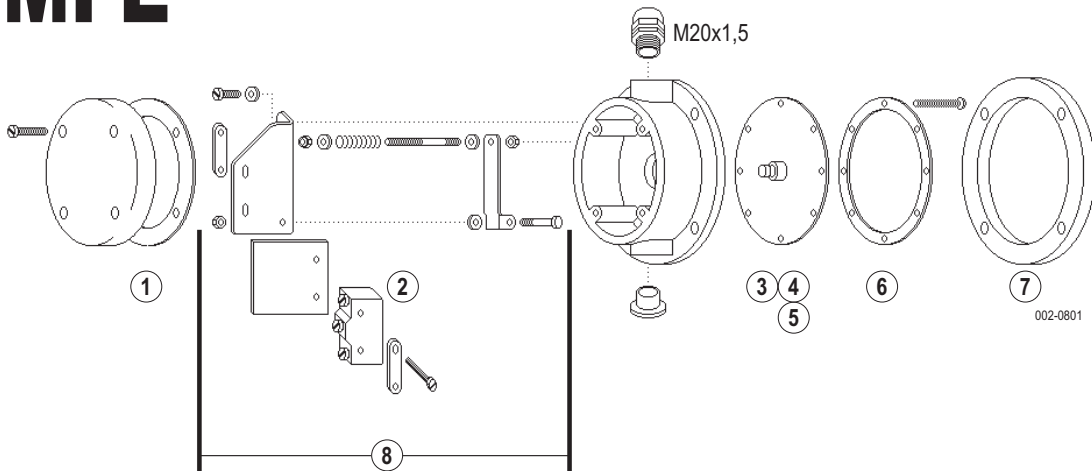
 Ersatzteile / Spare parts

 **MFD**



Ersatzteile / Spare parts

MFE



Pos. Item	Benennung Reference	Bestellcode Order code	Werkstoff Material
1	Deckeldichtung / Cap seal	MF-DS001	NBR
2	Schalter / Switch	BZ-2R-A2	
3	Stößel / Tappet	MF-WE001	Aluminium
4	Membrane / Membrane N . Membrane / Membrane V .	MF-MB-NR MF-MB-VI	NBR VITON
5	Membrane / Membrane E .	MF-MB-VA	Edelstahl 1.4301 / Stainless steel 304
6	Haltering / Mounting ring . N Haltering / Mounting ring . E	MF-HR-ST MF-HR-VA	Stahl, verzinkt / Steel, galvanized Edelstahl 1.4301 / Stainless steel 304
7	Flanschdichtung / Gasket	MF-FD-NR	NBR-Schaumstoff / NBR foam
8	Ersatzteilpaket inkl. Schalter Spare part kit incl. switch	MF-EP001 MF-EP001	





EG-Konformitätserklärung EC-Declaration of Conformity

Wir/We

MOLLET Füllstandtechnik GmbH

Industriepark RIO 103
D-74706 Osterburken
Tel. 06291 64400 Fax 06291 9846

erklären hiermit, dass die Geräte:

declare that the devices:

Membran-Füllstand-Grenzschalter
Membran-Füllstandanzeiger

Membrane limit switch
Membrane level indicator

Typ **MFE-EE-B3** und **MFEF-EE-B3**

Type **MFE-EE-B3** and **MFEF-EE-B3**

auf die sich diese Erklärung bezieht, den folgenden Normen oder normativen Dokumenten entsprechen:

to which this declaration relates is in accordance with the following standards or other normative documents:

Richtlinie 94/9/EG (Explosionsschutz-Richtlinie)

Directive 94/9/EC (Directive ATEX)

und

and

EN 60079-0:2009, EN 60079-31:2009

EN 60079-0:2009, EN 60079-31:2009

Die grundlegenden Sicherheits- und Gesundheitsanforderungen werden erfüllt gemäß den Bestimmungen der Richtlinien und durch Einhaltung der Normen.

The Essential Health and Safety Requirements are assured by compliance with the directive and observance of the normative documents.

Die Geräte sind mit folgenden Angaben gekennzeichnet:

The marking of the equipment includes the following:

CE **0044** **Ex** **II 1/3D Ex ta/tc IIIC T 63 °C**

-20 °C ≤ T_a ≤ +60 °C

EG-Baumusterprüfbescheinigungsnummer

IBExU06ATEX1068

EC-type-examination Certificate Number

Osterburken, den 27.08.2010

Osterburken, August 27th 2010



Wolfgang Hageleit

Diese Erklärung darf nur unverändert weiterverbreitet werden.

This declaration is only allowed to hand out in unchanged form.

